



# DIRIS Digiware S

Current measurement module with integrated sensors

Multi-circuit metering and measurement



DIRIS Digiware S



Configuration with EasyConfig System.

## Function

DIRIS Digiware S current acquisition modules have 3 integrated current sensors for the measurement of electrical circuits up to 63 A.

Positioned directly above or below the protective devices, they are powered by the DIRIS Digiware U voltage measurement module to measure consumption, and to monitor the electrical installation and the quality of the power supply.

## Advantages

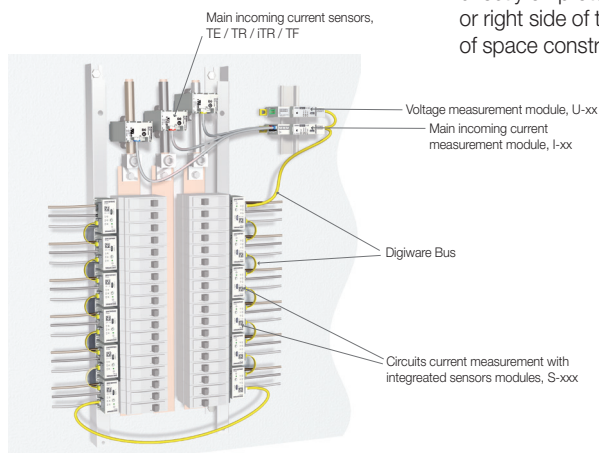
### Plug & Play

- Save wiring time: the current sensors are integrated in the module
- Quick RJ45 connection between modules
- Positioning possible upstream or downstream of the protective device

### Multi-circuit

Multiple DIRIS Digiware S modules can be used within the measurement system enabling the monitoring of a large number of loads

## Functional diagram



### Compact

- A measurement module offering the best compactness/performance ratio on the market
- Current inputs spaced at 3/4" center intervals to align appropriately with the panelboard branch circuit breakers

### Accurate

- Better than revenue grade: Class 0.5 for active energy (kWh) for the global measurement chain and on the full scale
- Bi-directional metering

DIRIS Digiware S modules can be mounted directly on protective devices, on the left side or right side of the panelboard, solving issues of space constraints.

## The solution for

Panelboards in:

- > Data center
- > Building
- > Industry
- > Infrastructure



## Strong points

- > Plug & Play
- > Multi-circuit
- > Compact



RJ45 (Digiware Bus) cables are available.

## Integrated technologies



PreciSense



AutoCorrect



VirtualMonitor

For more information see our website [www.socomec.com](http://www.socomec.com)

## Conformity to standards

- > UL 61010-1  
CSA-C22.2  
61010-1  
Guide PICQ  
File E257746






- > IEC 61557-12



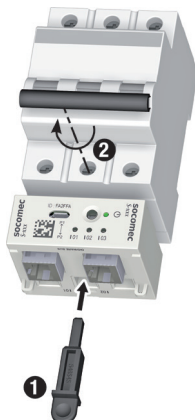
- > ISO 14025



Application	Current measurement module with integrated sensors		
	Metering	Analysis	Monitoring
			
<b>DIRIS Digiware S</b>	<b>S-130</b>	<b>S-135</b>	<b>S-Datacenter</b>
Number of current inputs	3	3	3
Basic current $I_b$	10 A	10 A	10 A
Maximum current $I_{max}$	63 A	63 A	63 A
Load type accepted	1P + N 2P / 2P + N 3P / 3P + N	1P + N 2P / 2P + N 3P / 3P + N	1P + N
<b>Metering</b>			
$\pm$ kWh, $\pm$ kvarh, kVAh	•	•	•
Multi-tariff (max 8)		•	
Demand profiles		•	•
<b>Multi-measurement</b>			
$I_1, I_2, I_3, I_n, \Sigma P, \Sigma Q, \Sigma S, \Sigma PF$	•	•	•
P, Q, S, PF per phase		•	•
Predictive power		•	
Current unbalance ( $I_{nba}, I_{nb}, I_{dir}, I_{inv}, I_{hom}$ )		•	
Phi, cos Phi, tan Phi		•	•
<b>Quality</b>			
THDi1, THDi2, THDi3, THDin		•	•
Individual harmonics I (up to 63rd)		•	
Crest factors U, V, I		•	
K factor		•	
Overcurrents		•	
<b>Alarms</b>			
Thresholds and combinations		•	•
Load level			•
Wiring errors		•	•
Protective device		•	•
<b>Trends</b>			
Average values		•	•
<b>Format</b>			
Width	2.12 in		

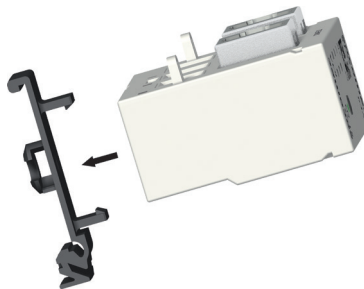
## Mounting accessories

Temporary MCB insert  
(for use during panel assembly)



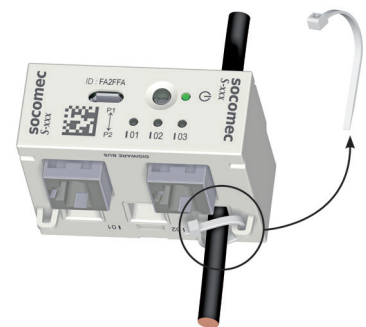
diris-dw\_137\_a.eps

DIN rail and back plate mounting



diris-dw\_138\_a.eps

Cable tie tether

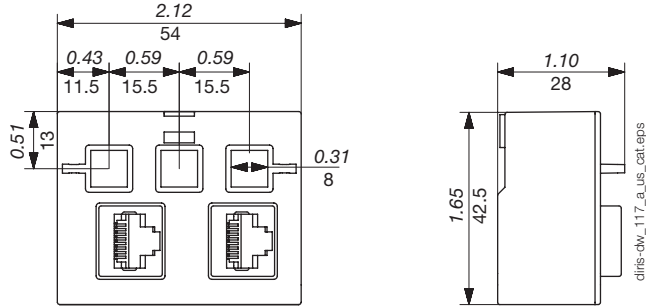


diris-dw\_139\_a.eps

# DIRIS Digiware S

Current measurement module with integrated sensors

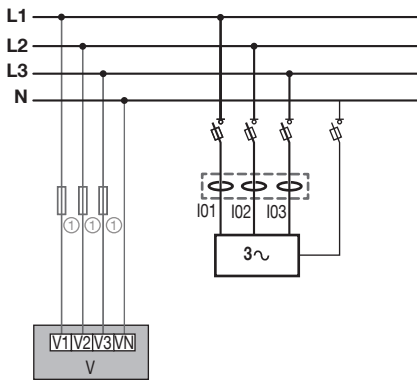
## Dimensions (in/mm)



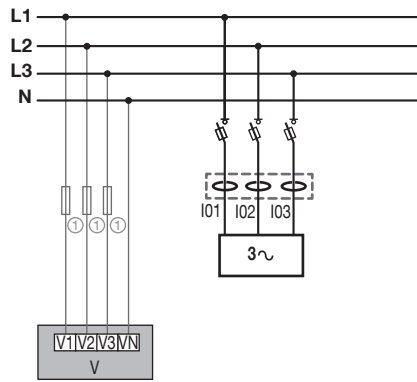
## Connections

Current is measured by the integrated inputs I01, I02 and I03 on the DIRIS Digiware S module.

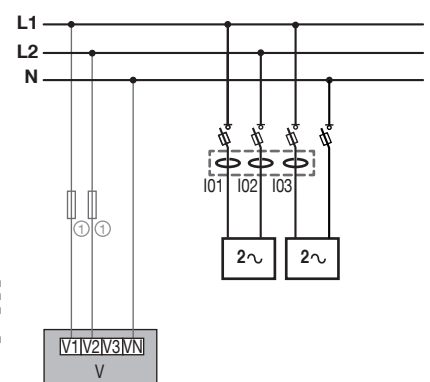
### 3P+N - 3CT



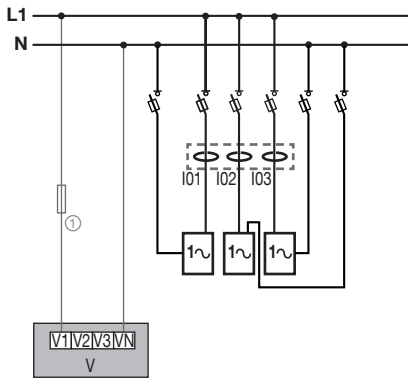
### 3P - 3CT



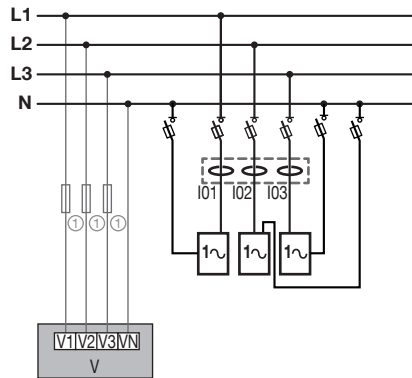
### 2P+N - 2CT & 2P+N - 1CT



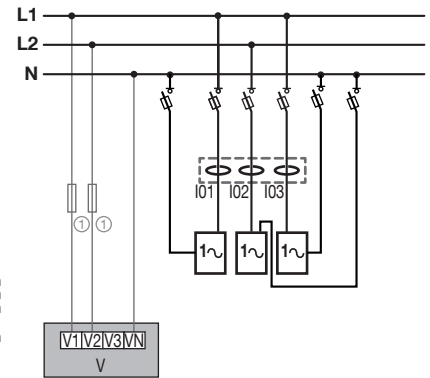
### 1P+N - 1CT (3x)



### 3P+N - 1CT (3x)



### 2P+N - 1CT (3x)



Fuses : 0.5 A gG/BS 88 2 A gG/0.5 A class CC

## Technical characteristics

### Measurement characteristics

Measurement of current	
Number of current inputs	3
Associated current sensors	Integrated in the product
Basic current I <sub>b</sub>	10 A
Maximum current I <sub>max</sub>	63 A
Current measurement accuracy	Class 0.5 IEC 61557-12
Measurement of energy	
Accuracy of active energy	Class 0.5 IEC 61557-12
Accuracy of reactive energy	Class 1 IEC 61557-12

### Mechanical characteristics

Casing type	DIN rail or back plate mounting
Casing protection index	IP20/IK08
Weight	2.22 oz / 63 g
Module power consumption	0.35 VA

### Communication specifications

Digiware BUS	
Function	Connection between DIRIS Digiware S, U, I modules and system interfaces
Cable type	Specific Socomec cable with RJ45 connections
USB	
Protocol	MODBUS RTU on USB
Function	Configuration of DIRIS Digiware modules
Location	On each DIRIS Digiware module
Connection	Type B micro USB connector

### Environmental specifications

Ambient operating temperature	+14 ... +131 °F / -10 ... +55 °C
Storage temperature	-13 ... +158 °F / -25 ... +70 °C
Operating humidity	104 °F / 40 °C / 95% RH
Operating altitude	< 6560 feet / 2000 m

## References

DIRIS Digiware S	Reference
S-130	Metering - 3 integrated current inputs 4829 0160
S-135	Analysis - 3 integrated current inputs 4829 0161
S-Datacenter	Single-phase monitoring - 3 integrated current inputs 4829 0162
Accessories	Reference
DIN rail and back plate mounting clip (x10)	4829 0195
Temporary MCB insert (x10)	4829 0196

Digiware connection cables	Part number	
RJ45 cables for Digiware Bus	Length 0.20 feet / 0.06 m <sup>(1)</sup>	4829 0189
	Length 0.32 feet / 0.10 m	4829 0181
	Length 0.64 feet / 0.20 m	4829 0188
	Length 1.64 feet / 0.50 m	4829 0182
	Length 3.28 feet / 1 m	4829 0183
	Length 6.56 feet / 2 m	4829 0184
	Length 9.84 feet / 3 m	4829 0190
	Length 16.4 feet / 5 m	4829 0186
	Length 32.8 feet / 10 m	4829 0187
	164 feet / 50 m reel + 100 connectors	4829 0185
Termination for Digiware Bus (supplied with interfaces C and D)	4829 0180	
USB configuration cable	4829 0050	

(1) The RJ45 0.20-ft cables can be used on 3-pole or 4-pole protective devices.

## Expert Services

### Do you require services for your metering system?

No problem for our local team. They will fully integrate all your Socomec devices, **audit** your system, **commission** selected equipment and **train** your staff on its use. For further information, please contact us.

See page xxx