

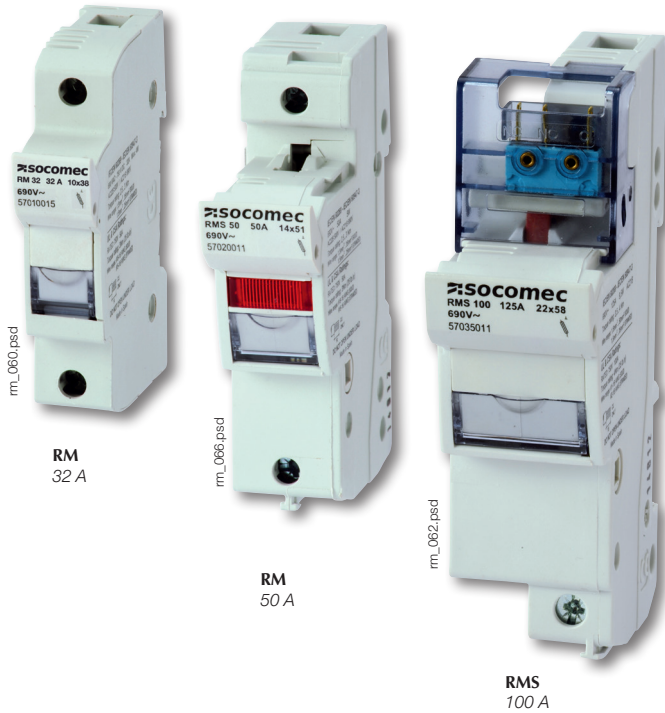


RM and RMS

Modular fuse holders

for industrial and high speed (uR) for Midget/Ferrule fuses up to 125 A

Fusible disconnect switches



The solution for

- > Industrial control panels
- > Inverters
- > Measuring devices and multifunction meter production
- > UPS
- > Motor drives

Strong points

- > Touch Safe
- > High breaking capacity (SCCR)
- > Modular
- > DIN rail mounting
- > Non-load disconnect
- > Pre-break capabilities, please consult us

Compliance with standards

- > UL 4248-1, CSA-C22.2 No. 4248-1 Guide IZLT File E307648
- > IEC 60269-2-1



Approvals and certifications⁽¹⁾



(1) Product reference on request.

Function

RM and **RMS** are modular fuse holders for cylindrical fuses. They safely provide non-load disconnection and protection against overloads and short-circuits in any low voltage electrical circuit.

- RM: Non-signalling fuse holders for fuses without strikers.
- RMS: Fuse disconnect switches with pre-break auxiliary contact, position and blown indication.

Advantages

Improved safety

- Multipolar and simultaneous breaking.
- High dielectric strength
- IP2X protection

Accessories

- Microswitchers for RMS 50 & 100A
- Padlocking capabilities
- Ganging kits to form multipolar from single poles
- Wiring combs

High breaking capacity

Protection against overloads and short-circuits thanks to high breaking capacity fuses (100 kA rms).

References

RM and RMS - Non-signalling device

Basic device Fuse size	32 A 10 x 38		50 A 14 x 51		100 A 22 x 58	
	To be ordered in multiples of	Reference	To be ordered in multiples of	Reference	To be ordered in multiples of	Reference
No. of poles						
1 P	12	5701 0015	6	5702 5001	6	5703 5001
1 P + N (1 module)	12	5701 5005 ⁽¹⁾				
1 P + N (2 modules)	6	5701 0017	3	5702 5005	3	5703 5005
1 P LED signalling	12	5701 0011	6	5702 0011	6	5703 0011
2 P	6	5701 0020	3	5702 5002	3	5703 5002
3 P	4	5701 0018	2	5702 5003	2	5703 5003
3 P + N	3	5701 0019	1	5702 5004	1	5703 5004
4 P			1	5702 5006	1	5703 5006
N	12	5701 0016	6	5702 5000	6	5703 5000

(1) This device is not cURus.

RMS - Device with 1 signalling auxiliary contact (AC) ⁽¹⁾

Basic device Fuse size	50 A 14 x 51		100 A 22 x 58	
	To be ordered in multiples of	Reference	To be ordered in multiples of	Reference
No. of poles				
1 P	6	5702 5011	6	5703 5011
2 P	3	5702 5012	3	5703 5012
3 P	2	5702 5013	2	5703 5013
3 P + N	1	5702 5014	1	5703 5014
4 P	1	5702 5016	1	5703 5016

(1) The signalling auxiliary contact provides the pre-break, fuse presence and also blown fuse signal.

Something to think about



10x38 RMs equipped with 0.5 A Midget fuses to provide effective protection for voltage inputs and auxiliary power supplies for all our electronic devices (DIRIS, DIRIS Digiware, DIRIS DigiBOX, etc.)

RM and RMS

Modular fuse holders

for industrial and high speed (uR) for Midget/Ferrule fuses up to 125 A

Accessories

Connection accessories for RM 32 A 10 x 38

Comb bridging connection

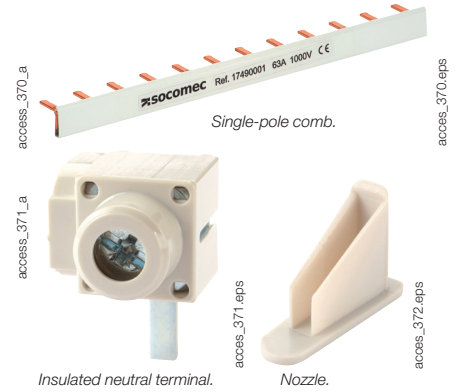
Designation	Cross-section (mm²)	Reference ⁽¹⁾
Unipolar comb with 12 modules	10	1749 0001
Unipolar comb with 13 modules	10	1749 0011
Unipolar comb with 57 modules	10	1749 0021
Unipolar comb with 12 modules	16	1749 0031
Unipolar comb with 13 modules	16	1749 0041
Unipolar comb with 57 modules	16	1749 0051
Nozzle		1749 8001

(1) Not UL.

Connection terminals

Designation	Reference ⁽¹⁾
Insulated neutral terminal for a 6 to 25-mm² cable, side input	1749 9001
Insulated neutral terminal for a 6 to 50-mm² cable, side input	1749 9002
Fully insulated power feed terminal for a 6 to 25-mm² cable, side input	1749 9003
Right/left insulated terminal, 6 x 25 mm²	1749 9004

(1) Not UL.



Auxiliary contact

Use

- 1 or 2 NO/NC auxiliary contacts:
- Pre-break, fuse presence and fuse blown signalling for RMS 50 and 100.

Connection

By 0.25 in / 6.35 mm fast-on terminal.

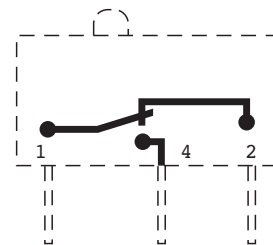
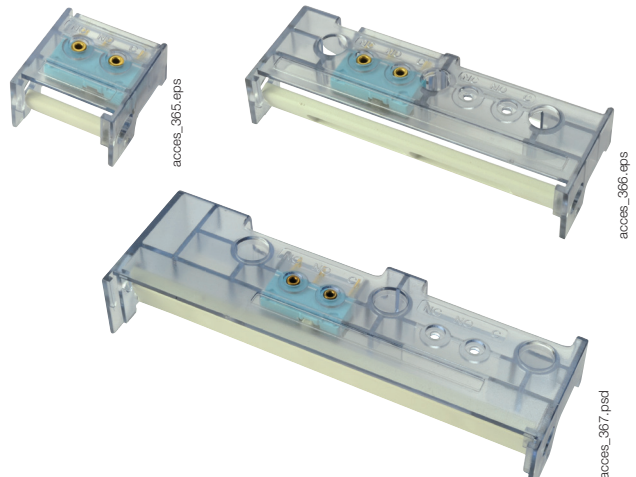
Characteristics	Contact type	Operating current I _e (A) 250 VAC AC-13
Rating (A)		
50 ... 100	NO/NC contact	2.5
50 ... 100	Two-level NO/NC contact	0.1

References		
NO/NC contact	Contact	Reference ⁽¹⁾
Rating (A)		
50	1 P with 1 AC	5702 9901
50	3 P with 1 AC	5702 9903
50	3 P with 2 AC	5702 9030
100	1 P with 1 AC	5703 9901
100	3 P with 1 AC	5703 9903
100	3 P with 2 AC	5703 9030

(1) Not UL.

Low level NO/NC auxiliary contact	Contact	Reference ⁽¹⁾
Rating (A)		
50	1 P with 1 AC	5702 9911
50	3 P with 1 AC	5702 9913
100	1 P with 1 AC	5703 9911
100	3 P with 1 AC	5703 9913

(1) Not UL.



RM and RMS

Modular fuse holders

for industrial and high speed (uR) for Midget/Ferrule fuses up to 125 A

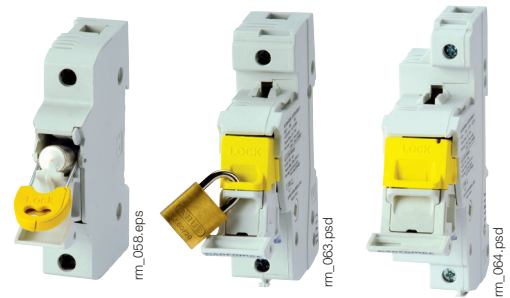
Padlocking adapter

Use

Padlocking of the handle (padlock not supplied).

For RM and RMS		
Rating (A)	Quantity (units)	Reference ⁽¹⁾
32	5	5701 9040
50	5	5702 9040
100	5	5703 9040

(1) Not UL.

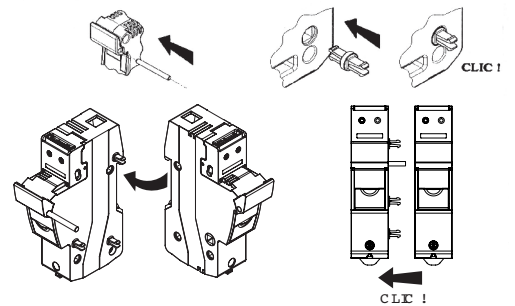


Coupling system for RM

For RM and RMS		
Rating (A)	Quantity (units)	Reference ⁽¹⁾
32	12	5704 0003 ⁽²⁾
50 ... 100	12	5702 9020 ⁽²⁾

(1) Not UL.

(2) One coupling device allows to link two RM/RMS. Also sold in bags containing separate components (bags of 100 pieces) for assembling larger quantities. Contact us



Reinforced insulation kit

Rating (A)	Reference ⁽¹⁾
32	5701 9010 ⁽²⁾

(1) Not UL.

(2) 1 reference = 1 set of 10 couplings.



RM and RMS

Modular fuse holders

for industrial and high speed (uR) for Midget/Ferrule fuses up to 125 A

Characteristics according to UL 4248-1 and CSA-C22.2 No. 4248-1

30 to 100 A

Thermal operational current		30 A	50 A	100 A
Fuse size		Midget / 10 x 38	14 x 51	22 x 58
Rated operating voltage (V)		750	750	750
Rated fuse dissipated power (W/P)		3	5	12 W
Protection degree		IP20	IP20	IP20
gG fuse protected short-circuit withstand	Rated volatge			
Prospective short-circuit current (kA rms.) ⁽¹⁾	690 VAC	100	100	100
Prospective short-circuit current (kA rms.) ⁽¹⁾	400/500 VAC	120	120	120
Design current derating coefficient for N poles side by side				
N = 1 ... 3		1	1	1
N = 4 ... 6		0.8	0.8	0.8
N = 7 ... 9		0.7	0.7	0.7
N ≥ 10		0.6	0.6	0.6
Design current derating coefficient depending on the temperature				
20°C 68°F		1	1	1
30°C 86°F		0.95	0.95	0.95
40°C 104°F		0.90	0.90	0.90
50°C 122°F		0.80	0.80	0.80
60°C 140°F		0.70	0.70	0.70
70°C 158°F		0.60	0.60	0.60
Connection				
Minimum Cu cable cross-section SOLID / STRANDED		0.75 mm ² / 18 AWG	1.5 mm ² / 16 AWG	1.5 mm ² / 16 AWG
Maximum Cu cable cross-section SOLID		16 mm ² / 8 AWG	35 mm ² / 8 AWG	50 mm ² / 1 AWG
Maximum Cu cable cross-section STRANDED		16 mm ² / 8 AWG	25 mm ² / 6 AWG	35 mm ² / 2 AWG
Tightening torque		2.5 Nm / 22 lb.in	3 Nm / 26 lb.in	4 Nm / 35 lb.in
Dimensional data				
Weight of 1 P / N (kg/lb)		0.125 / 0.0132 lb 0.057 / 0.06 kg	0.22 lb 0.1 kg	0.342 lb 0.155 kg
Weight of 1 P + N (kg/lb)		0.258 lb 0.117 kg	0.473 lb 0.215 kg	0.721 lb 0.327 kg
Weight of 3 P + N (kg/lb)		0.505 lb 0.229 kg	0.915 lb 0.415 kg	1.393 lb 0.632 kg

(1) Connection for RM32 1 P + N (1 module).

Characteristics according to IEC 60269-2

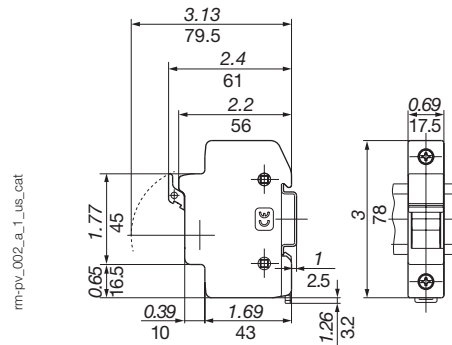
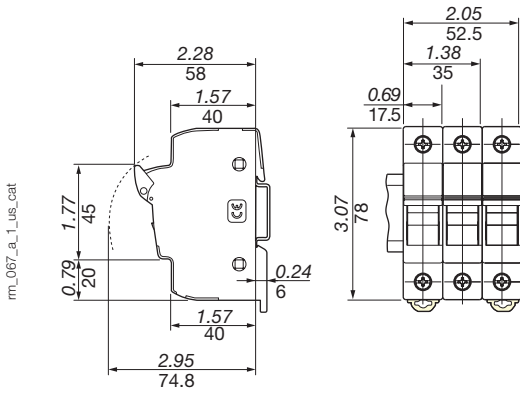
32 to 100 A

Thermal current I _{th} (20°C/68°F)	32 A	50 A	100 A
Fuse size	10 x 38	14 x 51	22 x 58
Rated insulation voltage U _i (V)	690	690	690
Fuse rating (A)			
at 400 VAC	32	50	125
at 500 VAC	32	50	125
at 690 VAC		50	125

Dimensions

RM 32 A unipolar and multipolar

RM 32 A Ref.: 5701 5005



RMS 50/100 A unipolar and multipolar

