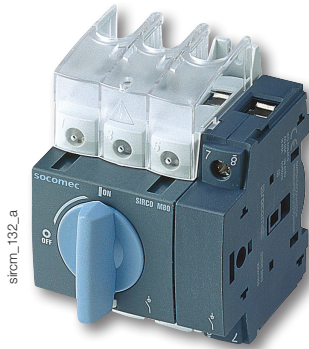
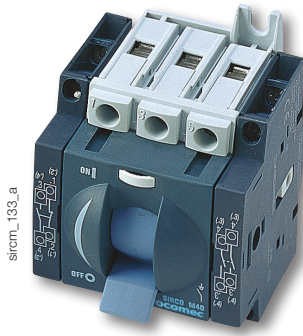


# SIRCO M UL 508

Non-fusible disconnect switches standards UL and CSA  
from 16 to 100 A



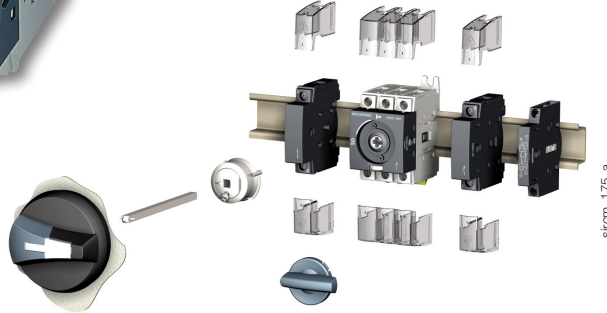
Rotary switch  
SIRCO M 3 x 80 A



Toggle switch  
SIRCO M 3 x 80 A + 2 auxiliary contacts



Rotary switch  
SIRCO M 3 x 80 A



## The solution for

- OEM/Machine Builders
- Industrial Control Panels Manufacturers (UL 508A)
- Switchboards Manufacturers (UL 891)
- Distributors



## Strong points

- Positive break indication
- Direct or external operation
- Compact footprint
- DIN-rail or base mounting
- Wide range of accessories
- Up to 8 pole or 4 pole MTS

## Conformity to standards

- UL 508, CSA-C22.2 No. 14 Guide NLRV, File E173959
- CSA-C22.2 No. 14, Class 3211-05, File 112964
- IEC 60947-3

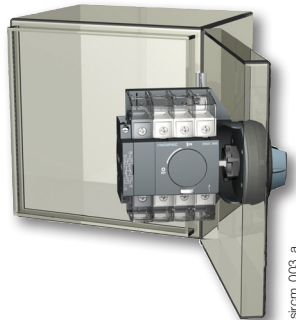


## Function

SIRCO M UL/CSA are compact and modular non-fusible disconnect switches. They make and break under all types of load conditions and provide safe isolation for any low voltage circuit, especially for machine control circuits.

## General characteristics

- Positive break indication.
- Direct or external operation.
- Compact footprint.
- DIN-rail, base or door mounting.
- Wide range of accessories.
- Up to 8 pole or 4 pole MTS.



UL 508 manual motor controller “Suitable as motor disconnect”

**References**

Rating (A)	No. of poles	Toggle switch (direct handle included)	Rotary switch	Direct handle	External front and right side handles <sup>(4)</sup>	Shaft for external handles	Switched fourth pole module	Auxiliary contacts	Terminal shrouds	Door mounting kit
16 A	3 P	2205 3000	2200 3000	Blue 2299 5012	S00 type I - 0 Black 3R, 12 1473 1111	S00/S0 type 5.9 in 150 mm 1407 0515  7.9 in 200 mm 1407 0520  12.6 in 320 mm 1407 0532 <sup>(2)</sup>	1 P 2200 1000	M type 1 AC NO + NC 2299 0001  1 AC 2 NC 2299 0011	1 P 2294 1005 <sup>(3)</sup>  3 P 2294 3005 <sup>(3)</sup>	2299 3409
20 A	3 P	2205 3001	2200 3001		1 P 2200 1001					
25 A	3 P	2205 3002	2200 3002		Red/Yellow 3R, 12 <sup>(1)</sup> 1474 1111		1 P 2200 1002			
32 A	3 P	2205 3003	2200 3003		Black 4, 4X <sup>(1)</sup> 147D 1111		1 P 2200 1003			
40 A	3 P	2205 3004	2200 3004		Red/Yellow 4, 4X <sup>(1)</sup> 147E 1111		1 P 2200 1004			
63 A	3 P	2205 3006	2200 3006		S0 type I - 0 Black 1, 3R, 12 <sup>(1)</sup> 1483 1111		1 P 2200 1006			
80 A	3 P	2205 3008	2200 3008		Red/Yellow 1, 3R, 12 <sup>(1)</sup> 1484 1111		1 P 2200 1008			
100 A CD	3 P		2200 3009		Black 4, 4X <sup>(1)</sup> 148D 1111		1 P 2200 1009			
					Red/Yellow 4, 4X <sup>(1)</sup> 148E 1111					

Common accessories - more available on next pages.

(1) Please order the shaft guide: 1419 0000 with the shaft.

(2) Top and bottom.

(3) There is no door interlocking when the switch is fitted on the side of the enclosure.

UL 508 non-metallic polycarbonate 4, 4X enclosed SIRCO M



**Function**

Enclosed SIRCO M switches allow safe control and disconnection of any motor application.

**General characteristics**

- Grey enclosure with red handle.
- Equipped with a 3 pole SIRCO M UL 508.
- 1 removable ground terminal.
- Possibility of adding 1 power pole and 1 auxiliary contact.
- Nema/UL type 1, 3R, 12, 4, 4X.

**Conformity to standards<sup>(1)</sup>**

- > UL 508, CSA-C22.2 No. 14 Guide NLRV, File E173959
- > CSA-C22.2 No. 14, Class 3211-05, File 112964
- > IEC 60947-3



(1) Product reference on request.

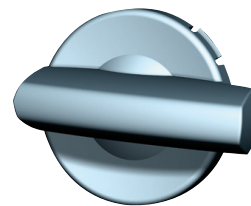
# SIRCO M UL 508

Non-fusible disconnect switches standards UL and CSA  
from 16 to 100 A

## Accessories

### Direct operation handle

Rating (A)	Handle color	Handle type	Reference
16 ... 100 CD	Blue	M00	2299 5012



M00 handle

access\_277\_a\_2\_cat

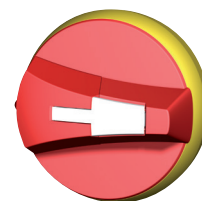
### External operation handle

#### Use

The handle locking function prevents the user from opening the door of the enclosure when the switch is in the "ON" position (only if the handle is fitted on the door).

No interlock in the "OFF" position for S00 and S0 handles.

Opening the door when the switch is in the "ON" position is possible by defeating the interlocking function with the use of a tool (authorized persons only). The interlocking function is restored when the door is closed. The handle is padlockable with 3 padlocks.



S00 handle

access\_264\_a\_2\_cat

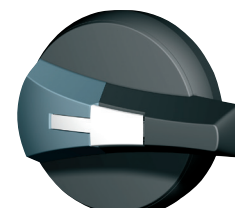
### Front and right side handles I - 0

Rating (A)	Handle color	Handle type	Nema/UL type	Reference
16 ... 100 CD	Black	S00	3R, 12	1473 1111
16 ... 100 CD	Red/Yellow	S00	3R, 12	1474 1111
16 ... 100 CD	Black	S00	4, 4X	147D 1111
16 ... 100 CD	Red/Yellow	S00	4, 4X	147E 1111
16 ... 100 CD	Black	S0	1, 3R, 12	1483 1111
16 ... 100 CD	Red/Yellow	S0	1, 3R, 12	1484 1111
16 ... 100 CD	Black	S0	4, 4X	148D 1111
16 ... 100 CD	Red/Yellow	S0	4, 4X	148E 1111
16 ... 100 CD	Black	S01 <sup>(1)</sup>	3R, 12	140F 2111
16 ... 100 CD	Red/Yellow	S01 <sup>(1)</sup>	3R, 12	140G 2111
16 ... 100 CD	Black	S01 <sup>(1)</sup>	4, 4X	140D 2111
16 ... 100 CD	Red/Yellow	S01 <sup>(1)</sup>	4, 4X	140E 2111

(1) Not compatible with door mounting kit.

### Front handle for heavy duty I - 0 with metallic lever

Rating (A)	Handle color	Handle type	Nema/UL type	Reference
16 ... 100 CD	Black	S01	4, 4X	140D 2911
16 ... 100 CD	Red/Yellow	S01	4, 4X	140E 2911



S0 handle

access\_279\_a\_2\_cat



S01 handle

access\_304\_a\_2\_cat

### Front handle for transfer switches I - 0 - II

Rating (A)	Handle color	Handle type	Nema/UL type	Reference
16 ... 100 CD	Black	S00	4, 4X	1473 1113 <sup>(1)</sup>

(1) Not UL.

### Shafts for external handle

#### Use

Standard lengths:

- 5.9 in / 150 mm
- 7.9 in / 200 mm
- 12.6 in / 320 mm

Other lengths: please consult us.

For 3/4 pole switches, shaft extensions for external front and side handle.

For 6/8 pole switches and SIRCO M transfer switches.



access\_280\_a\_2\_cat

### For 3/4 pole

Ratg (A)	Handle type	Length		Reference
		(in)	(mm)	
16 ... 100 CD	S00/S0	5.9	150	1407 0515
16 ... 100 CD	S00/S0	7.9	200	1407 0520
16 ... 100 CD	S00/S0	12.6	320	1407 0532
16 ... 100 CD	S01	7.9	200	1404 0520
16 ... 100 CD	S01	12.6	320	1404 0532
16 ... 100 CD	S01	15.7	400	1404 0540

### For 6/8 pole

Rating (A)	Handle type	Length		Reference
		(in)	(mm)	
16 ... 100 CD	S00/S0	5.9	150	1407 0515
16 ... 100 CD	S00/S0	7.9	200	1407 0520
16 ... 100 CD	S00/S0	12.6	320	1407 0532

## Accessories (continued)

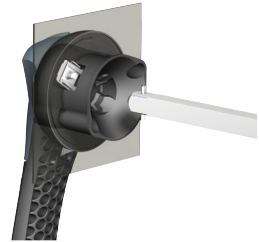
### Shaft guide for external handle

**Use**

This accessory enables handle to engage extension shaft with a misalignment of up to 0.59 in/15 mm.

Required for a shaft length from 12.6 in/320 mm.

Handle type	Reference
S00 and S0	1419 0000



access\_260\_a\_2\_cat

### Additional pole

**4<sup>th</sup> pole**

Rating (A)	No. of poles	Type	Reference
16	1 P	switched	2200 1000
20	1 P	switched	2200 1001
25	1 P	switched	2200 1002
32	1 P	switched	2200 1003
40	1 P	switched	2200 1004
63	1 P	switched	2200 1006 <sup>(1)</sup>
80	1 P	switched	2200 1008 <sup>(1)</sup>
100 CD	1 P	switched	2200 1009 <sup>(1)</sup>

(1) Not UL.

**Use**

Transforms:

- 3 pole SIRCO M non-fusible disconnect switch into a 4 pole,
- 3 pole SIRCO M transfer switch into a 4 pole.



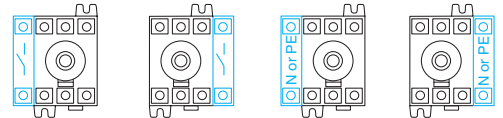
sircm\_072\_b\_1\_cat

**Solid neutral pole**

Rating (A)	No. of poles	Type	Reference
16 ... 40	1 P	unswitched	2200 5005
63 ... 100 CD	1 P	unswitched	2200 5009

**Use**

Transforms the 3-pole switch into a 3-pole + solid neutral.



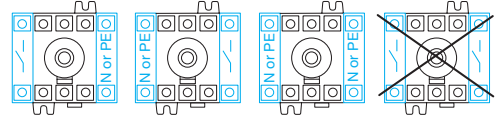
sircm\_078\_a\_1\_gb\_cat

**Ground module**

Rating (A)	No. of poles	Type	Reference
16 ... 40	1 P	unswitched	2200 9005
63 ... 100 CD	1 P	unswitched	2200 9009

**Use**

Adds 1 protective ground module pole to the non-fusible disconnect switch.



sircm\_078\_a\_1\_gb\_cat

### Terminal shrouds

**Use**

Top and bottom additional protection against direct contact with the terminals or connection parts.  
1 or 3 poles are available.

Perforation on each terminal cover enables remote thermographic inspection without dismantling.

Rating (A)	No. of poles	Position	Reference
16 ... 40	1 P	top and bottom	2294 1005
16 ... 40	3 P	top and bottom	2294 3005
63 ... 100 CD	1 P	top and bottom	2294 1009
63 ... 100 CD	3 P	top and bottom	2294 3009



sircm\_049\_a\_1\_cat

# SIRCO M UL 508

Non-fusible disconnect switches standards UL and CSA  
from 16 to 100 A

## M type Auxiliary Contacts

### Use

Pre-break and signaling of positions 0 and I by NO+NC or 2 NO Auxiliary Contacts.

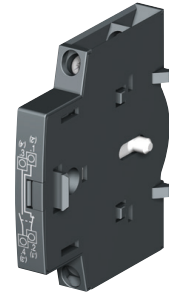
They can be mounted on the left or on the right side of the device.

Max 4 Auxiliary Contacts per product (2 modules).

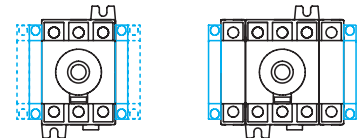
### Characteristics

A300.

Rating (A)	No. of AC	AC type	Reference
16 ... 100 CD	1 AC	NO + NC	2299 0001
16 ... 100 CD	1 AC	2 NO	2299 0011



sircm\_075\_b\_2\_cat



sircm\_081\_a\_1\_x\_cat

Auxiliary contacts configurations for SIRCO M

## Conversion kit

### Use

These accessories enable the assembly of 2 switches in order to achieve:

- 6 or 8 pole switches
- 3 or 4 pole open or close transition transfer switches.

Rating (A)	Type	Reference
16 ... 100 CD	Non-fusible disconnect switches 6/8 pole	2269 6009
16 ... 100 CD	Transfer switch 3/4 pole (I - 0 - II)	2209 6009
16 ... 100 CD	Transfer switch 3/4 pole (I - I+II - II)	2299 6009 (1)

(1) Not UL.



sircm\_060\_c\_2\_cat



sircm\_097\_b\_2\_x\_cat

Conversion kit for 6 or 8 pole non-fusible disconnect switches

Conversion kit for 3 and 4-pole transfer switches (I - 0 - II) or (I - I+II - II)



sircm\_086\_b\_1\_cat

## Door mounting kit

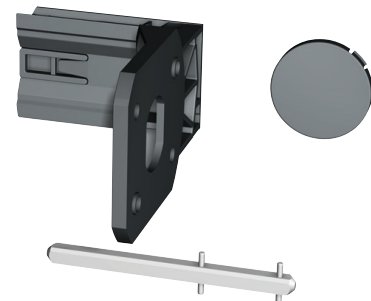
### Use

This kit enables direct mounting of the switch on the panel door or on the right or left side of the panel with S00 and S0 handles.

The S0 and S00 external handles are quick and easy to install due to an internal locking nut mounted on the inside of the enclosure.

Rating (A)	No. of poles	Reference
16 ... 100 CD	3/4 P	2299 3409

Not compatible with S01 handle.  
No need of external shaft.



sircm\_051\_b\_2\_cat

## Characteristics

### Characteristics according to UL 508 and CSA-C22.2 No. 14

General use rating (A)	16 A	20 A	25 A	32 A	40 A	63 A	80 A	100 A CD
Short circuit rating at 600 VAC (kA)	65	65	65	65	10/65	50/65	50/65	50/65
Type of fuse	J	J	J	J	J	J	J	J
Max fuse rating (A)	30	30	30	30	60/30	100/60	100/60	100/60

#### Max. motor hp/FLA 3 ph motor max.

208 VAC	3/0.6	5/16.7	7.5/24.2	7.5/24.2	7.5/24.2	15/46.2	15/46.2	15/46.2
220-240 VAC	5/15.2	5/15.2	7.5/22	7.5/22	7.5/22	20/54	20/54	20/54
440-480 VAC	10/14	10/14	15/21	20/27	20/27	40/52	40/52	40/52
600 VAC	10/11	15/17	20/22	25/27	25/27	40/41	40/41	40/41

#### Connection terminals

Solid - 1 wire	#14 - #10	#14 - #10	#14 - #10	#14 - #10	#14 - #10	#14 - #10	#14 - #10	#8 - #2
Solid - 2 wires	2 x #12	2 x #12	2 x #12	2 x #12	2 x #12	2 x #12	2x #12	2x - #12
Stranded - 1 wire	#14 - #4	#14 - #4	#14 - #4	#14 - #4	#14 - #4	#14 - #1	#14 - #1	#14 - #10
Stranded - 2 wires	2 x (#14 - #12)	2 x (#14 - #12)	2 x (#14 - #12)	2 x (#14 - #12)	2 x (#14 - #12)	2 x (#10 - #6)	2 x (#10 - #6)	2 x - (#10-#6)

#### Auxiliary contacts

Electrical characteristics	A300	A300	A300	A300	A300	A300	A300	A300
----------------------------	------	------	------	------	------	------	------	------

#### Mechanical characteristics

Endurance (number of operating cycles)	10,000	10,000	10,000	10,000	10,000	10,000	10,000	10,000
Operating torque (lbs.in./Nm)	7/0.8	7/0.8	7/0.8	7/0.8	7/0.8	8.9/1	8.9/1	8.9/1

### Characteristics according to IEC 60947-3

Thermal current $I_{th}$ (40°C)	16 A	20 A	25 A	32 A	40 A	63 A	80 A	100 A CD
Rated insulation voltage $U_i$ (V)	800	800	800	800	800	800	800	800
Rated impulse withstand voltage $U_{imp}$ (kV)	8	8	8	8	8	8	8	8

#### Rated operational currents $I_e$ (A)

Rated voltage	Utilization	A/B <sup>(1)</sup>	A/B <sup>(1)</sup>	A/B <sup>(1)</sup>	A/B <sup>(1)</sup>	A/B <sup>(1)</sup>	A/B <sup>(1)</sup>	A/B <sup>(1)</sup>	A/B <sup>(1)</sup>
415 VAC	AC-23 A/AC-23 B	16/16	20/20	25/25	32/32	40/40	63/63	80/80	80/80
500 VAC	AC-22 A/AC-22 B	16/16	20/20	25/25	32/32	40/40	63/63	80/80	-
500 VAC	AC-23 A/AC-23 B	16/16	20/20	25/25	25/25	25/25	63/63	63/63	-
690 VAC	AC-21 A/AC-21 B	16/16	20/20	25/25	32/32	40/40	63/63	80/80	100/100
690 VAC	AC-22 A/AC-22 B	16/16	20/20	25/25	32/32	32/40	40/63	63/80	-
690 VAC	AC-23 A/AC-23 B	16/16	20/20	25/25	25/25	25/25	40/40	40/40	-

#### Operational power in AC-23 (kW)

At 400 VAC without prebreaking AC in AC-23 (kW) <sup>(1)(2)</sup>	7.5	9	11	15	18.5	30	37	-
At 500 VAC without prebreaking AC in AC-23 (kW) <sup>(1)(2)</sup>	7.5	9	11	15	15	30	37	-
At 690 VAC without prebreaking AC in AC-23 (kW) <sup>(1)(2)</sup>	7.5	11	15	18.5	18.5	30	37	-

#### Fuse protected short-circuit withstand (kA rms prospective)

Prospective short-circuit current (kA rms) <sup>(3)</sup>	50	50	50	50	50	50	50	25
Associated fuse rating (A) <sup>(3)</sup>	16	20	25	32	40	63	80	100

#### Overload capacity ( $U_e$ 415 VAC)

Rated short-time withstand current 0.3 s. $I_{cw}$ (kA rms) <sup>(3)</sup>	2.5	2.5	2.5	2.5	2.5	3	3	1.5
Rated short-circuit making capacity $I_{cm}$ (kA peak) <sup>(3)</sup>	6	6	6	6	6	9	9	2.1

#### Connection

Minimum Cu cable cross section (mm <sup>2</sup> )	1.5	1.5	1.5	1.5	1.5	2.5	2.5	2.5
Maximum Cu cable section (mm <sup>2</sup> )	16	16	16	16	16	35	35	35
Tightening torque min/ max (Nm)	2/2.2	2/2.2	2/2.2	2/2.2	2/2.2	3.5/3.85	3.5/3.85	3.5/3.85

(1) A/B: Category with index A = frequent operation - Category with index B = infrequent operation.

(2) The power value is given for information only, the current values vary from one manufacturer to another.

(3) For a rated operating voltage  $U_e = 400$  VAC.



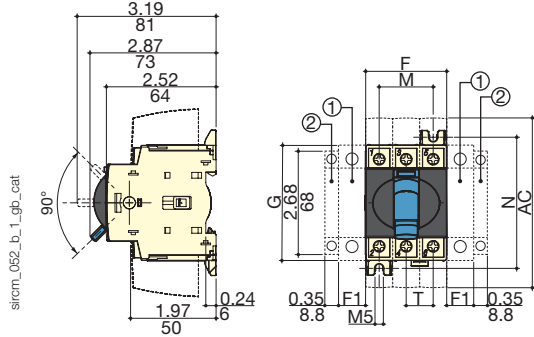
# SIRCO M UL 508

Non-fusible disconnect switches standards UL and CSA  
from 16 to 100 A

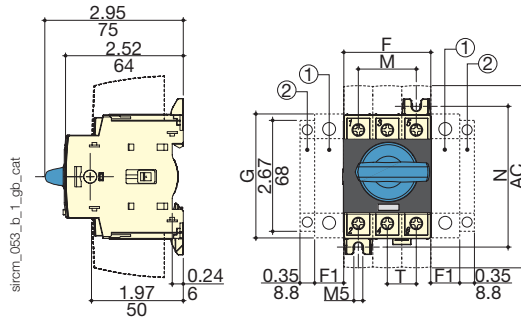
## Dimensions (in/mm)

### 16 to 100 A

Toggle operation



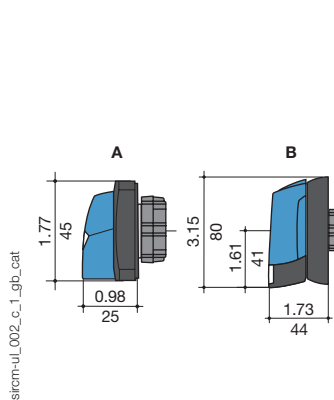
Direct operation with handle



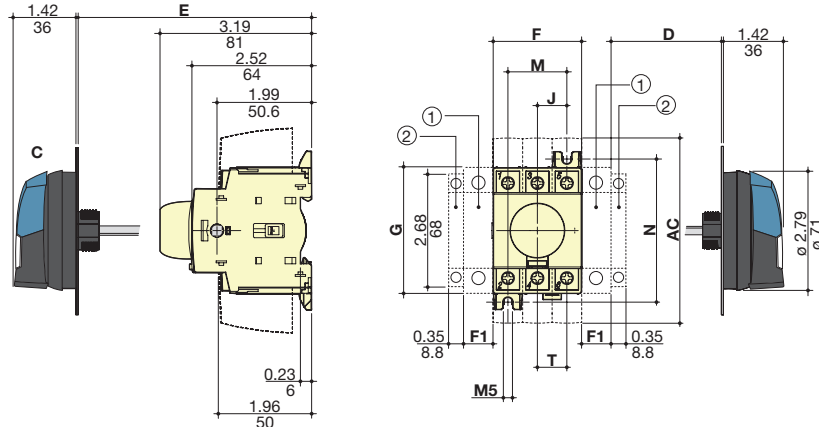
1. Position for 1 switched fourth pole module (1 per device max.) or 1 unswitched neutral pole or 1 protective ground module or 1 auxiliary contact.
2. Position for 1 auxiliary contact only.

**Note: Maximum of 4 additional blocks.**

External front handle



External side handle

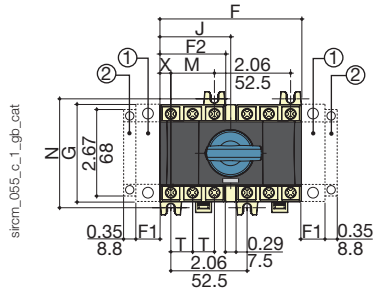


1. Position for 1 switched fourth pole module (1 per device max.) or 1 unswitched neutral pole or 1 ground module or 1 auxiliary contact.
2. Position for 1 auxiliary contact only.

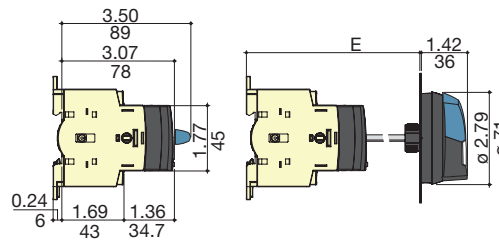
**Note: Maximum of 4 additional blocks.**

Rating (A)	Units	Overall dimensions				Terminal shrouds		Switch body				Switch mounting		Connection
		D min	D max	E min	E max	AC	F	F1	G	J	M	N	T	
16 ... 40	in	1.18	9.25	3.94	14.64	4.33	1.77	0.59	2.67	0.59	1.18	2.95	0.59	
	mm	30	235	100	372	110	45	15	68	15	30	75	15	
63 ... 100 CD	in	1.18	9.25	3.93	14.64	4.33	2.06	0.69	2.99	0.69	1.38	3.35	0.69	
	mm	30	235	100	372	110	52.5	17.5	76	17.5	35	85	17.5	

Direct front handle for 6/8-pole non-fusible disconnect switches  
or 3/4-pole transfer switches



External front handle for 6/8-pole non-fusible disconnect switches  
or 3/4-pole transfer switches



1. Position for 1 switched fourth pole module (1 per device max.) or 1 unswitched neutral pole or 1 ground module or 1 auxiliary contact.
2. Position for 1 auxiliary contact only.

**Note: Maximum of 4 additional blocks.**

Rating (A)	Units	Overall dimensions		Switch body					Switch mounting		Connection	
		E min	E max	F	F1	F2	G	J	M	N	T	X
16 ... 40	in	4.13	14.64	3.83	0.59	1.77	2.67	1.92	1.18	2.95	0.59	0.29
	mm	105	372	97.5	15	45	68	48.75	30	75	15	7.5
63 ... 100 CD	in	4.13	14.65	4.13	0.69	2.06	2.99	2.06	1.38	3.35	0.69	0.34
	mm	105	372	105	17.5	52.5	76	52.5	35	85	17.5	8.75

External handles dimensions (in/mm)

16 to 100 A

Handle type	Front operation Direction of operation	Side operation Direction of operation	Door drilling
<p><b>S00 type</b></p>			<p>With 4 fixing screws</p> <p>With fixing nut</p>
<p><b>S0 type</b></p>			<p>With 4 fixing screws</p> <p>With fixing nut</p>
<p><b>S01 type</b></p>			<p>With 4 fixing screws</p>
<p><b>S00 type Transfer switches</b></p>	<p>Front operation Direction of operation</p>	<p>Side operation Direction of operation</p>	<p>With 4 fixing screws</p> <p>With fixing nut</p>

poign\_069\_c\_1\_us\_cat

poign\_060\_a\_1\_us\_cat

poign\_018\_a\_1\_gb\_cat

poign\_070\_a\_1\_gb\_cat