



SIRCO V

Load break switches standards UL and CSA
30 to 400 A



sirco-ul_022

SIRCO
3 x 200 A

Function

SIRCO V is a manually operated multipolar load-break switch for applications that require flange accessories or visible breaking. This switch can break on and off load and provide safety isolation for any low voltage circuit. The SIRCO V switches are extremely durable and are tested and approved for use in the most demanding applications.

General characteristics

- Fully visible breaking.
- Compatible with flange accessories.
- High thermal and dynamic withstand.
- Severe utilization categories.
- High electrical and mechanical endurance.

The solution for

- > OEM/Machine Builders
- > Industrial Control Panels Manufacturers (UL 508A)
- > Switchboards Manufacturers (UL 891)
- > Distributors



Strong points

- > Reliability
- > Safety of property and personnel
- > Flange compatible
- > Simplicity
- > Easy assembling
- > Visible breaking

Conformity to standards

- > UL 98, Guide WHTY, file E201138
- > CSA 22.2 No. 4, Class 4651-02, File 112964
- > IEC 60947-3



Customized solutions

- > Please consult us

References

Rating (A)	No. of poles	Switch body	Flange handle	Cable flange mechanism	Cable length	Rod operator for 8 to 24 inches enclosure depth	Front external handle	Shaft for external handle	NFPA 79 kit ⁽¹⁾	Auxiliary contacts	Terminal shrouds	Terminal lugs
30 A	3 P	2700 3003	Standard handle (NEMA 1, 3, 3R, 4, 12) 3729 9002	3729 9903	36 inches 3729 9992	3729 9904	S1 type Black 1, 3R, 12 141F 2111	7.9 inches 200 mm 1400 1020	3279 4532	1 AC U type NO 3999 0701	Integrated	Integrated
	4 P	2700 4003					Black 4, 4X 141D 2111					
60 A	3 P	2701 3006	Chrome plated handle (NEMA 1, 3, 3R, 4, 4X, 12) 3729 9003	3729 9903	60 inches 3729 9993	3729 9904	S2 Type Black 1, 3R, 12 141F 2111	12.6 inches 320 mm 1400 1032	3729 7540	1 AC U type NC 3999 0702		
	4 P	2701 4006										
100 A	3 P	2701 3010	Chrome plated handle (NEMA 1, 3, 3R, 4, 4X, 12) 3729 9003	3729 9903	120 inches 3729 9994	3729 9904	S2 Type Black 1, 3R, 12 141F 2111	15.7 inches 400 mm 1400 1040	3729 7540	2 AC S type NC+NO 3999 U041		
	4 P	2701 4010										
200 A	3 P	2701 3020	Chrome plated handle (NEMA 1, 3, 3R, 4, 4X, 12) 3729 9003	3729 9903	120 inches 3729 9994	3729 9904	4, 4X 141D 2111				3798 3020	3954 6020
	4 P	2701 4020									3798 4020	3954 8020
400 A	3 P	2701 3039	Chrome plated handle (NEMA 1, 3, 3R, 4, 4X, 12) 3729 9003	3729 9903	120 inches 3729 9994	3729 9904	4, 4X 141D 2111		3729 7544		3798 3040	3954 6060

(1) Includes mechanism, shaft and internal handle. Please order external handle.

(2) No door interlocking

SIRCO V

Non-fusible disconnect switches
30 to 400 A

NFPA 79 accessories

Flange handle for flange operation

Use

Meets both UL 508A and NFPA 79 requirements.
The handle will operate the switch by cable or rod.

Rating (A)	Type	Nema type	Reference
30 ... 400	Standard handle	1, 3, 3R, 4, 12	3729 9002 ⁽¹⁾
30 ... 400	Chrome plated handle	1, 3, 3R, 4, 4X, 12	3729 9003 ⁽¹⁾

(1) Defeatable handle.



sirco_246_a_1_us_cat

Cable operator

Use

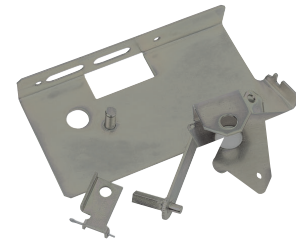
Link between the flange handle and the switch, please order the flange handle, the mechanism and a cable length of your choice.

Rating (A)	Description	Reference
30 ... 400	Cable flange mechanism	3729 9903

Cable length (inches)	Cable length (mm)	Reference
36	900	3729 9992
60	1500	3729 9993
120	3000	3729 9994



sirco_247_a_1_cat



ul_042_b_1

Rod operator

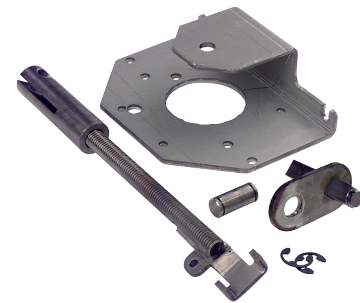
Use

Link between the flange handle and the switch. The rod flange is an economical solution, please order the flange handle and a rod kit.

Rating 30 ... 200 A

For enclosure depth (inches)	For enclosure depth (mm)	Reference
8 ... 24	203 ... 613	3729 9904

For 400 A rating, please consult us.



ul_048_a

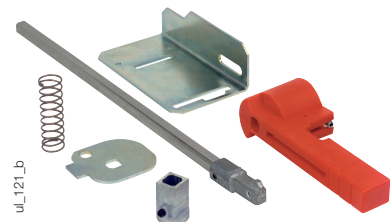
NFPA 79 "Through the door" kit

Use

Meets both UL 508A and NFPA 79 requirements.
Allows retrofit of your installations for ratings from 30 to 400 A.
Please order an S-type external handle separately.

Number of auxiliary contact installed on the switch will be limited to 1 layer (instead of 2).
If more needed please use the S type auxiliary contacts.
Delivered with a 12.6 in / 320 mm shaft.
For longer shafts, please consult us.

Rating (A)	Reference
30	3729 4532
60 ... 200	3729 7540
400	3729 7544



ul_127_b

Accessories (continued)

External operation handle

Use

The interlocking function of the front external handle prevents the user from opening the door of the enclosure when the switch is in the "ON" position or when the switch is padlocked in the "OFF" position (S1, S2, S3 and S4 type handles only).

Opening the door when the switch is in the "ON" position is possible by defeating the interlocking function with the use of a tool (authorized persons only). The interlocking function is restored when the door is closed.



S2 type handle

access_150



S2 type handle

access_236

Front handle I - 0

Rating (A)	Handle type	Nema type	Color	Reference
30 A	S1	1, 3R, 12	Black	141F 2111
		1, 3R, 12	Red/Yellow	141G 2111
		4, 4X	Black	141D 2111
		4, 4X	Red/Yellow	141E 2111
60 ... 400 A	S2	1, 3R, 12	Black	142F 2111
		1, 3R, 12	Red/Yellow	142G 2111
		4, 4X	Black	142D 2111
		4, 4X	Red/Yellow	142E 2111

Shaft for external handle

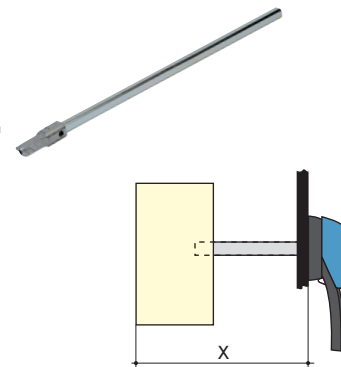
Use

Standard lengths:
- 7.9 in / 200 mm,
- 12.6 in / 320 mm,
- 15.7 in / 400 mm.

Other lengths: please consult us.

Rating (A)	Dimension X (in)	Dimension X (mm)	Handle type	Length (inches)	Length (mm)	Reference
30 A	Consult Us	Consult Us	S1	7.9	200	1401 0520
30 A	Consult Us	Consult Us	S1	12.6	320	1401 0532
30 A	Consult Us	Consult Us	S1	15.7	400	1401 0540
60 ... 400 A	5.31 ... 10.43	135 ... 265	S2	7.9	200	1400 1020
60 ... 400 A	5.31 ... 15.16	135 ... 385	S2	12.6	320	1400 1032
60 ... 400 A	5.31 ... 18.31	135 ... 465	S2	15.7	400	1400 1040
60 ... 400 A	5.31 ... 22.25	135 ... 565	S2	19.7	500	1400 1050

access_369



access_202_a

SIRCO V

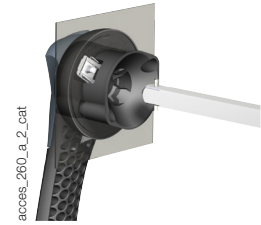
Non-fusible disconnect switches
30 to 400 A

Accessories (continued)

Shaft guide for external handle

Use

This accessory enables handle to engage shaft with a misalignment of up to 0.59 in / 15 mm.
Required for a shaft length over 400 mm for S1 to S2 handles and for a shaft from 12.6 in / 320 mm for S0 handle.



access_260_a_2_cat

Description	Reference
Shaft guide for S1 to S2 handles	1429 0000

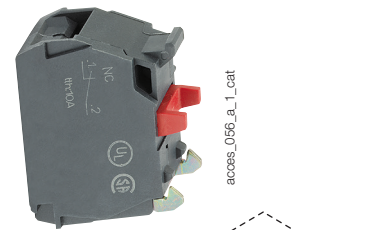
U-type auxiliary contacts

Use

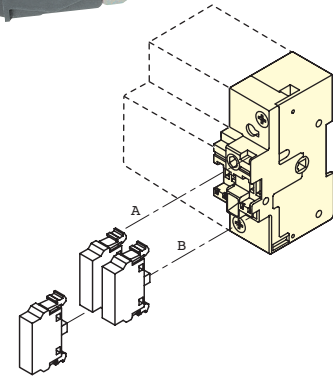
Each slot can accommodate up to 2 interlocked ACs.
- For 400A, maximum 8 ACs.

Electrical characteristics

A600.
When SIRCO V is front operated, ACs are prebreak and signaling position I and 0.
When SIRCO V is side operated, ACs are signaling positions I and 0.



access_056_a_1_cat



access_048_a_1_x_cat

CD 30 : U-type auxiliary contacts cannot be mounted on switches with direct operation handle

NO auxiliary contacts		
Rating (A)	Number of contacts	Reference
30 ... 400	1	3999 0701

NC auxiliary contacts		
Rating (A)	Number of contacts	Reference
30 ... 400	1	3999 0702

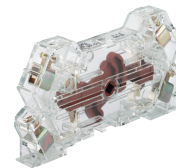
S-type auxiliary contacts

Use

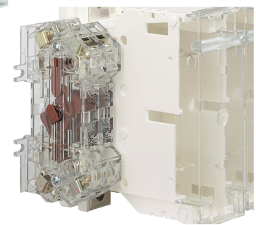
Side operated auxiliary contacts for SIRCO V 30 to 400 A, position OFF and ON signalled by 1 to 4 NO + NC auxiliary contacts.

Electrical characteristics

A600/D600.
S-type auxiliary contacts are signaling position I and 0.



access_051_La_1_cat



access_083_a_1_cat

NO+NC auxiliary contacts		
Rating (A)	Number of contacts	Reference
30 ... 400	1	3999 U041
30 ... 400	2	3999 U042

Terminal shrouds

Use

Top or bottom protection against direct contact with terminals or connection parts.
 2 sets required to fully shroud both line and load terminals.

Front and side operation		
Rating (A)	No. of poles	Reference ⁽¹⁾
30 ... 100	3/4 P	integrated
200	3 P	3798 3020
200	4 P	3798 4020
400	3 P	Consult us.

(1) Top or bottom.



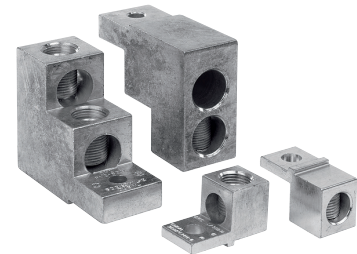
fuser_31-4_a_1_cat

Terminals lugs

Use

Connection of cables to the terminals.

Rating (A)	Wires range	No wires per lug	Lugs per kit	Reference
30	#14 - #10	1		integrated
60 ... 100	#10 - #3	1		integrated
200	#6 - 300MCM	1	6	3954 6020
200	#6 - 300MCM	1	8	3954 8020
400	2 x (#2 - 600MCM)	2	6	3954 6060



ul_032_a

SIRCO V

Non-fusible disconnect switches

30 to 400 A

Characteristics

Characteristics according to UL 98 and CSA-C22.2 No. 4

Technical Characteristics	V 30 A	V 60 A	V 100 A	V 200 A	V 400 A
Operating voltage	600	600	600	600	600
Short-circuit rating at 600 VAC (kA)	65	200	200	200	200
Type of fuse	J or CC	J	J	J	J
Max. fuse rating (A)	30	60	100	200	400

Max. horsepower rating / Max. motor FLA current 3 ph

220-240 VAC	7.5 / 22	15 / 42	30 / 80	60 / 154	125 / 312
440-480 VAC	15 / 21	30 / 40	60 / 77	125 / 156	250 / 302
600 VAC	20 / 22	50 / 52	75 / 77	150 / 144	350 / 336
125 VDC	3 / 25 ⁽¹⁾	3 / 25 ⁽¹⁾	7.5 / 58 ⁽¹⁾	15 / 112 ⁽¹⁾	20 / 148 ⁽¹⁾
250 VDC	5 / 20 ⁽¹⁾	10 / 38 ⁽²⁾	20 / 72 ⁽²⁾	40 / 140 ⁽²⁾	50 / 173 ⁽²⁾

Mechanical characteristics

Endurance (number of operating cycles)	10,000	10,000	10,000	8,000	6,000
--	--------	--------	--------	-------	-------

Terminal lugs

Type	standard	standard	standard	option	option
Min. connection section / AWG ⁽³⁾	#14	#10	#10	#6	2 x 2
Max. connection section / AWG ⁽³⁾	#10	#3	#3	3 / 0	2 x 600 kcmil

(1) 2 pole in series.

(2) 3 pole in series.

(3) AWG: cross section of the American cable.

Characteristics according to IEC 60947-3

Technical characteristics	32 A	63 A	100 A	200 A	400 A
Rated insulation voltage U _i (V)	800	750	750	750	750
Rated impulse withstand voltage U _{imp} (kV)	8	8	8	8	8

Rated operational currents I_e (A)

Rated voltage	Load duty category	A ⁽¹⁾	A ⁽¹⁾	A ⁽¹⁾	A ⁽¹⁾	A ⁽¹⁾
400 VAC	AC-22 A	32	63	100	200	400
	AC-23 A	32	63	100	200	400
690 VAC	AC-22 A	32	63	100	200	400
	AC-23 A	32	63	100	200	315

Operational power in AC-23 A 9kW⁽¹⁾⁽²⁾

At 400 VAC without pre-break AC	30	30	51	100	220
At 500 VAC without pre-break AC	18.5	40	63	140	220
At 690 VAC without pre-break AC	25	55	90	185	295

Conditional short-circuit current⁽³⁾

Rated peak withstand current (kA peak)	5.5	17.6	17.6	32	40
--	-----	------	------	----	----

Connection

Minimum Cu cable section (mm ²)	6	10	25	50	186
---	---	----	----	----	-----

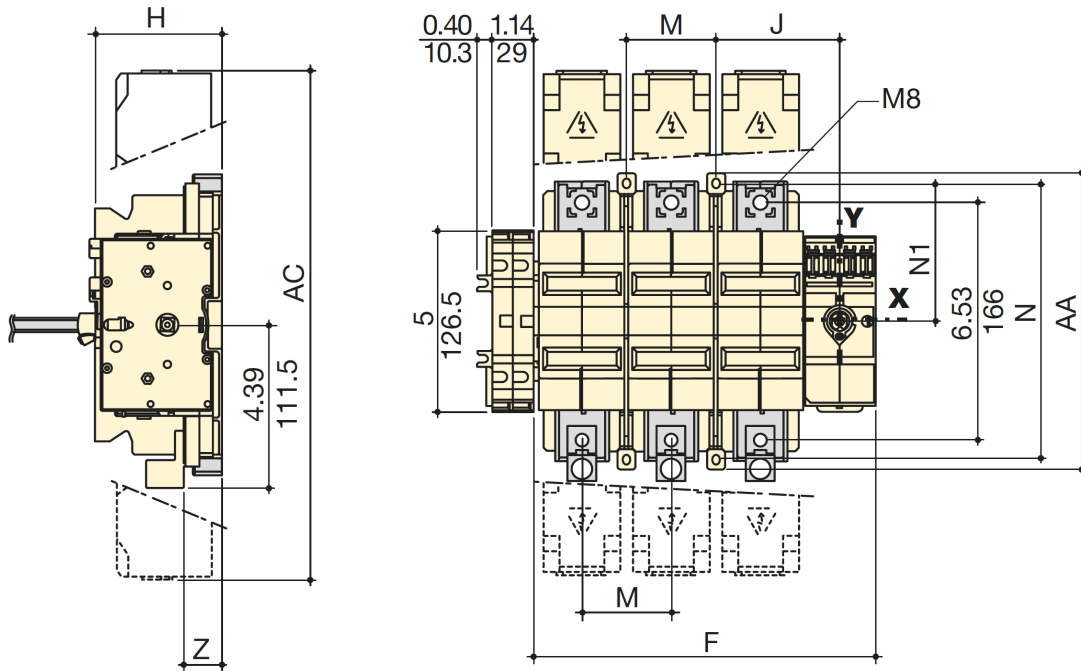
(1) Category with index A = frequent operation.

(2) The power value is given for information only, the current values vary from one manufacturer to another.

(3) For a rated operating voltage U₂ = 400 VAC.

Dimensions (in/mm)

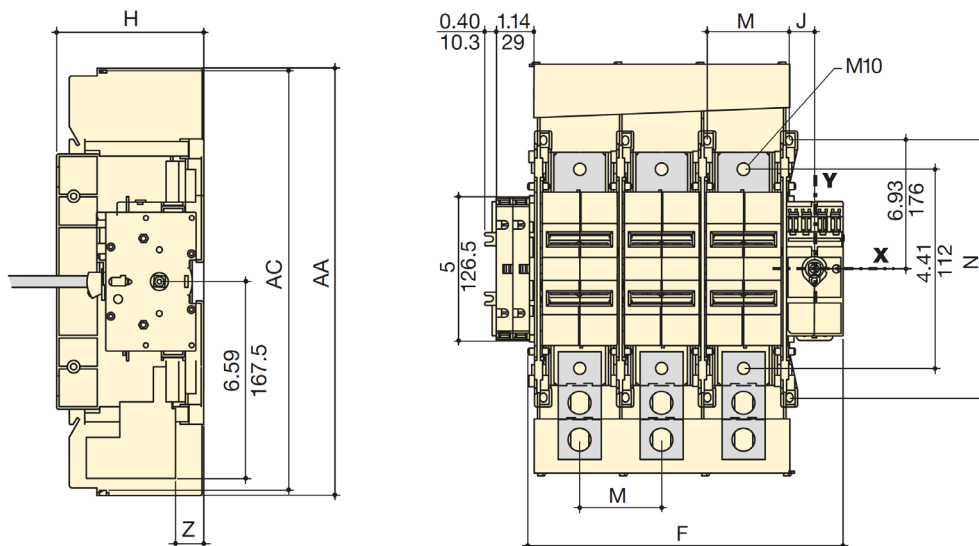
Sirco V 30 A front operation



UL_009_a_1_cat

Switch body								Switch mounting				Connection terminals			
F		H		J		J1		N		N1		AA		Z	
(in)	(mm)	(in)	(mm)	(in)	(mm)	(in)	(mm)	(in)	(mm)	(in)	(mm)	(in)	(mm)	(in)	(mm)
3.78	96	2.59	66	1.47	37.5	0.59	15	3.13	79.5	1	25.5	4.56	116	1.12	28.5

Sirco V 60 and 100 A front operation



UL_003_a_1_cat

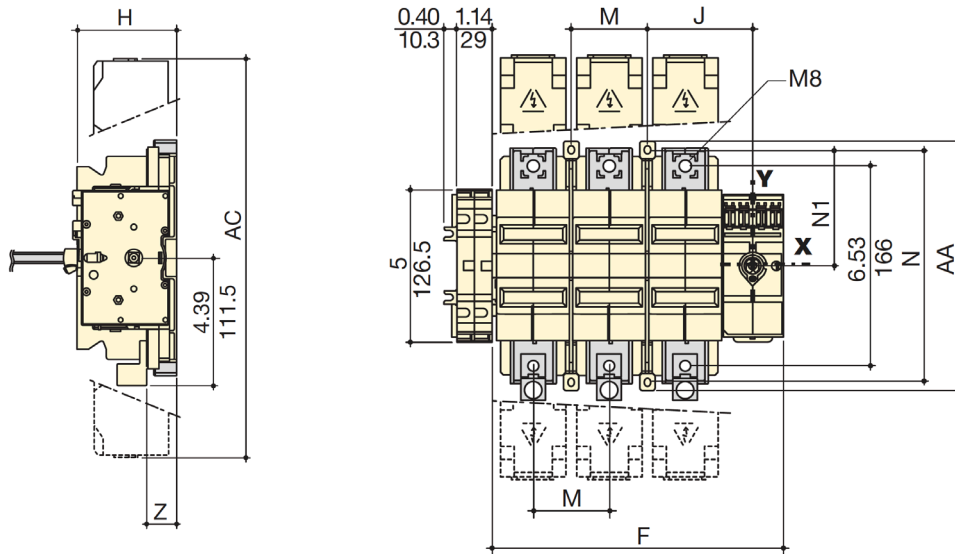
Switch body						Switch mounting				Connection terminals							
F 3p.		F 4p.		H		J		J1		N		N1		AA		Z	
(in)	(mm)	(in)	(mm)	(in)	(mm)	(in)	(mm)	(in)	(mm)	(in)	(mm)	(in)	(mm)	(in)	(mm)	(in)	(mm)
5.98	152	7.48	190	3.89	99	2.12	54	1.5	38	5.25	133.5	2.63	66.5	5.87	149	0.95	24.5

SIRCO V

Non-fusible disconnect switches
30 to 400 A

Dimensions (in/mm) (continued)

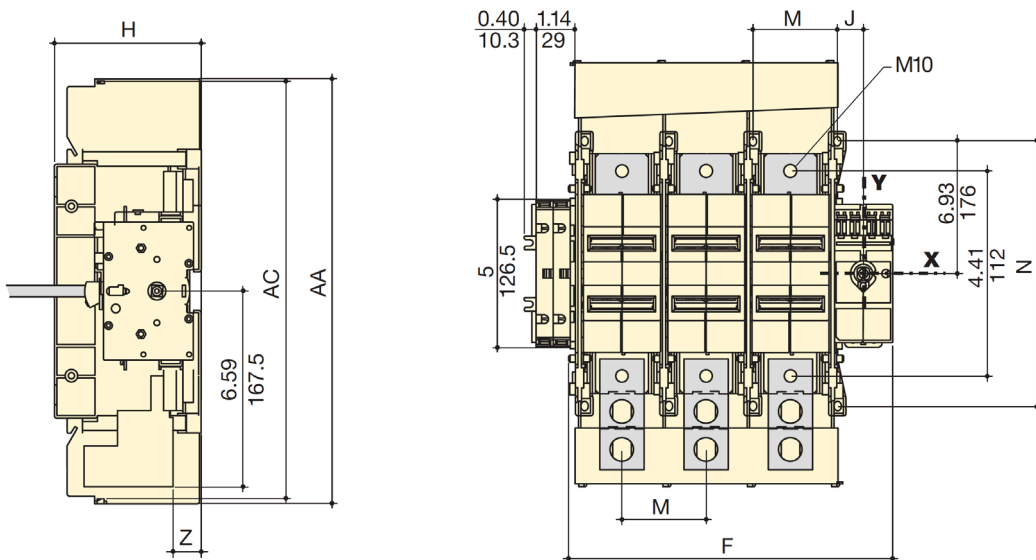
Sirco V 200A Front Operation



sirco_107_d_1_x_cat

Terminal shrouds		Switch body								Switch mounting						Connection terminals			
AC		F 3p.		F 4p.		H		J		M		N		N1		AA		Z	
(in)	(mm)	(in)	(mm)	(in)	(mm)	(in)	(mm)	(in)	(mm)	(in)	(mm)	(in)	(mm)	(in)	(mm)	(in)	(mm)	(in)	(mm)
13.74	349	9.37	238	11.81	300	3.42	87	3.38	86	2.44	62	7.5	190.5	3.74	96	8.13	206.5	0.95	24.5

Sirco V 400A Front Operation

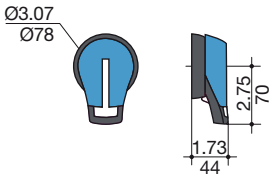
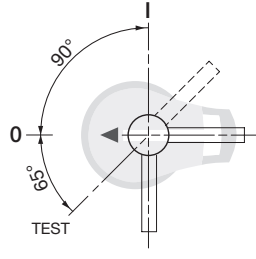
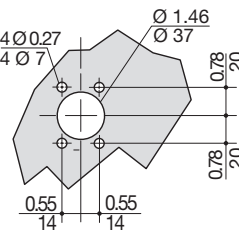


sirco_228_d_1_x_cat

Terminal shrouds		Switch body								Switch mounting						Connection terminals			
AC		F 3p.		F 4p.		H		J		M		N		AA		Z			
(in)	(mm)	(in)	(mm)	(in)	(mm)	(in)	(mm)	(in)	(mm)	(in)	(mm)	(in)	(mm)	(in)	(mm)	(in)	(mm)		
14.08	358	10.8	276	13.7	348	4.92	125	0.88	22.5	2.84	72	8.83	224	14.31	363.5	1.06	27		

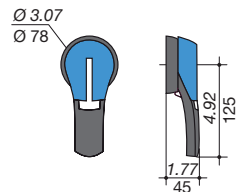
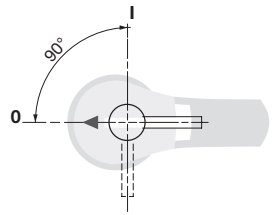
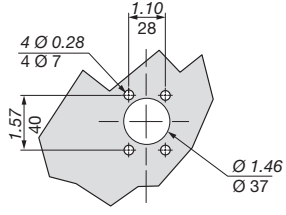
External handles dimensions (in/mm)

30 to 60 A

Handle type	Front operation	
	Direction of operation	Door drilling
S1 type 		

fuser-uj_015_b_1_gp_cat

100 to 400 A

Handle type	Front operation	
	Direction of operation	Door drilling
S2 type 		

polign_013_a_1_us_cat