

Socomec: our innovations supporting your energy performance

1 independent manufacturer **3,600** employees worldwide **10** % of sales revenue dedicated to R&D **400** experts dedicated to service provision

Your power management expert



The specialist for critical applications

- Control, command of LV facilities
- Safety of persons and assets
- Measurement of electrical parameters
- Energy management
- Energy quality
- Energy availability
- Energy storage
- Prevention and repairs
- Measurement and analysis
- Optimisation
- Consultancy, commissioning and training

A worldwide presence

12 production sites
 • France (x3)
 • Italy (x2)
 • Tunisia
 • India
 • China (x2)
 • USA (x3)

28 subsidiaries and commercial locations
 • Algeria • Australia • Belgium • China • Canada
 • Dubai (United Arab Emirates) • France • Germany
 • India • Indonesia • Italy • Ivory Coast • Netherlands
 • Poland • Portugal • Romania • Singapore • Slovenia
 • South Africa • Spain • Switzerland • Thailand
 • Tunisia • Turkey • UK • USA

80 countries where our brand is distributed

HEAD OFFICE
SOCOMECS GROUP
 SAS SOCOMECS capital 10 589 500 €
 R.C.S. Strasbourg B 548 500 149
 B.P. 60010 - 1, rue de Westhouse
 F-67235 Benfeld Cedex
 Tel. +33 3 88 57 41 41 - Fax +33 3 88 57 78 78
 info.scp.isd@socomec.com

YOUR DISTRIBUTOR / PARTNER



www.socomec.com

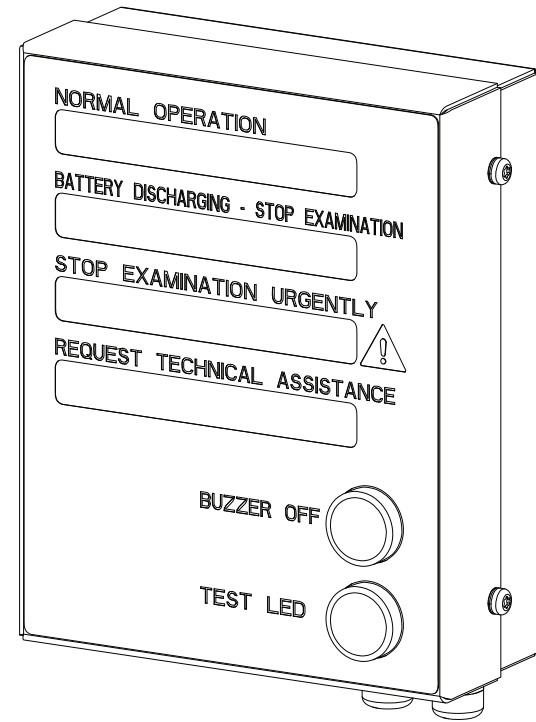


Non contractual document. © 2019, Socomec SAS. All rights reserved. - Document printed on paper from sustainably managed forests.



Signaling box option

EN



EN IMPORTANT SAFETY INSTRUCTION

SAVE THIS INSTRUCTION - This manual contains important instructions for signal box [U4-HC-LED-RGB], that should be followed during installation and maintenance.

This manual should be kept carefully in a safe place near the UPS, so that it can be consulted by the operator at any time for any information that may be needed regarding correct use of the unit. Read the manual carefully before connecting the unit to the a.c. mains supply. Before the signal box is put into commission, the user must be perfectly familiar with its operation, with the position of all the controls and with the technical and functional characteristics of the unit, so as to ensure there will be no risk to any persons or to the appliance itself.

NOTE!
 This signal box is intended to be used exclusively in combination with ADC+sl card of Socomec UPS.

NOTE!
 Any work carried out on the equipment must be performed by skilled, qualified technicians.

DANGER!
 Failure to observe safety standards could result in fatal accidents or serious injury, and damage equipment or the environment.

CAUTION!
 If the unit is found to be damaged externally or internally, or any of the accessories are damaged or missing, contact SOCOMECS. Do not operate the unit if it has suffered a violent mechanical shock of any kind.

NOTE!
 Install the unit in accordance with clearances in order to prevent access to handling devices.

NOTE!
 Only use accessories recommended or sold by the manufacturer.

WARNING!
 Connect the protective earth (PE) conductor before making any other connections.

The wiring methods in accordance with the National Electrical Code, ANSI/NFPA 70 and Canadian Electric Code (CEC) are to be used. All national standards applicable to batteries must be observed.

NOTE: If the unit needs to be disposed of it must be given to companies specialising in the disposal of the system's constituent materials.

NOTE!
 Any use other than the specified purpose will be considered improper. The manufacturer/supplier shall not be held responsible for damage resulting from this. Risk and responsibility lies with the system manager.

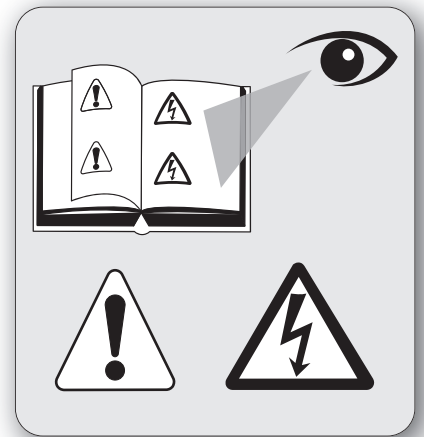
CAUTION
 The user is cautioned that any changes or modifications not expressly approved by Socomec could void the user's authority to operate the equipment.

- Before carrying out any operations on the unit read the installation and operating manual carefully.
- Any work carried out on the equipment must be performed by qualified technicians authorised by SOCOMECS.
- Failure to observe safety standards could result in fatal accidents or serious injury, and damage equipment or the environment.
- If the unit is found to be damaged externally or internally, or any of the accessories are damaged or missing, contact SOCOMECS. Do not operate the unit if it has suffered a violent mechanical shock of any kind.
- Do not expose the unit to rain or liquids in general. Do not insert foreign bodies.
- Any use other than the specified purpose will be considered improper. The manufacturer/supplier shall not be held responsible for damage resulting from this. Risk and responsibility lies with the system manager.

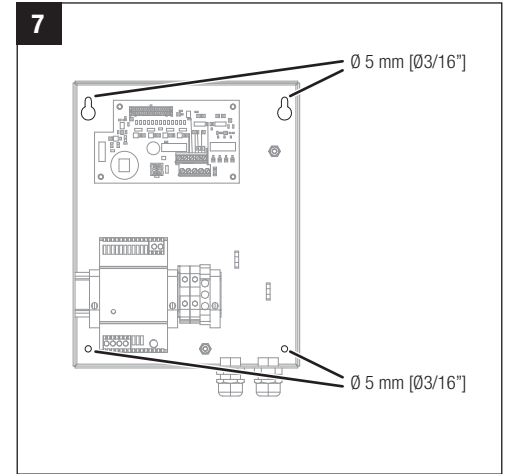
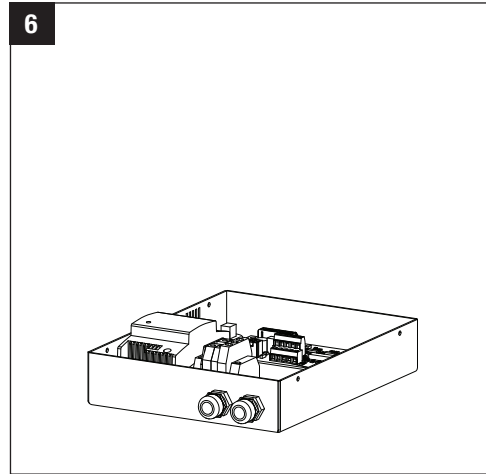
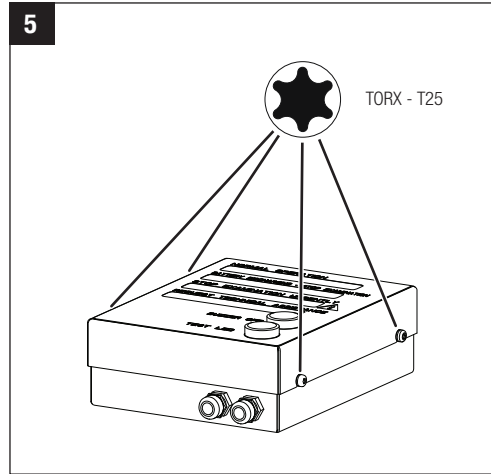
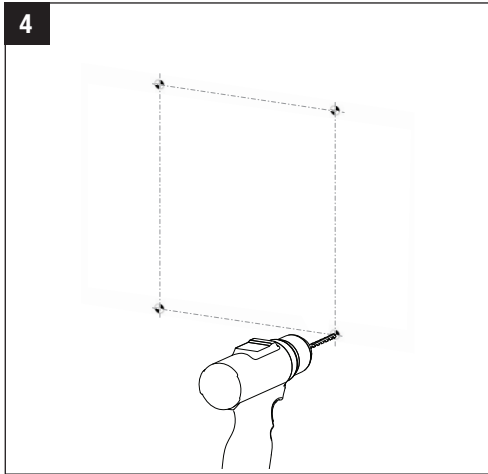
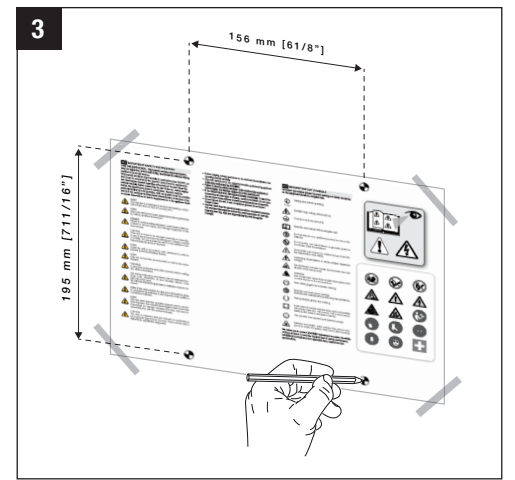
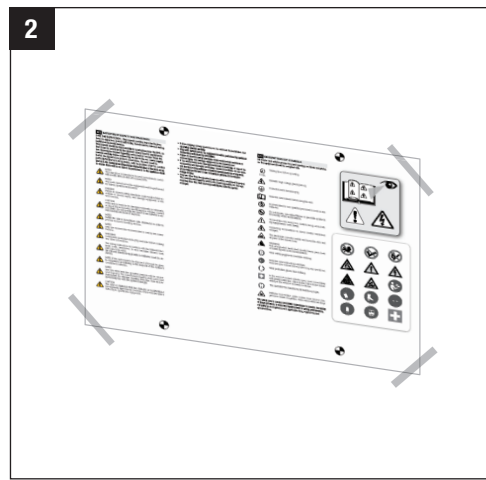
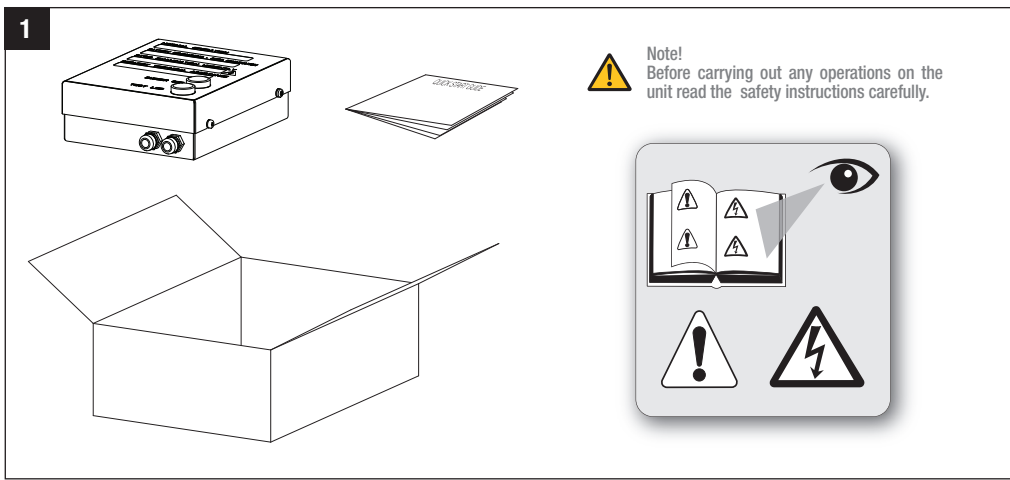
EN DESCRIPTION OF SYMBOLS

All interior and exterior precautions and warnings on labels and plates on the equipment should be complied with.

- Waiting time before operating
5 min.
- DANGER!** High voltage (black/yellow)
- Protective earth terminal (PE)
- Read the user manual before using the unit
- It is forbidden for non-qualified personnel to work on the batteries.
- Do not smoke, use naked flames or generate sparks in the vicinity of the accumulators.
- Accumulators are heavy! Use suitable transport and lifting equipment to work safely.
- Connecting accumulators in series creates hazardous voltages.
- The electrolyte corrodes metals and burns the skin and all parts of the human body.
- WARNING!** Risk of explosion! Avoid short circuits! Never place tools or metal objects on the accumulators.
- Wear safety goggles and suitable clothing.
- Read the user instructions carefully. Read the user manual before performing any operations.
- Wear protective gloves and clothing.
- In the event of contact with the eyes, wash immediately with plenty water and call a doctor. Call a doctor immediately in the event of accidents or illness.
- The unit **MUST** be handled by at least two people.
- Batteries and related parts contain lead. Lead is dangerous to health if ingested. Wash hands after handling!



We advise you to contact SOCOMECS beforehand to confirm the ability of these products to meet the required level of safety, performance, reliability and compliance with applicable laws, regulations and specifications.



8 AC Input

LN ⊕

Ø 10 mm [0 3/8"]

Technical specifications	
Conductor cross section AWG min.	8
Conductor cross section AWG max.	20
Tightening torque, min.	0.8 Nm / 7.1 lb.in.
Tightening torque, max.	1.4 Nm / 12.4 lb.in.

WARNING!
Uninterruptible Power Supply has to be used for the feeding of the Led Box Option U4-HC-LED-RGB.

9 Signal input

C1 NO1 NC1 C3 NO3
C2 NO2 C4 NO4

Ø 10 mm [0 3/8"]

Technical specifications	
Conductor cross section AWG min.	26
Conductor cross section AWG max.	16
Tightening torque, min.	0.5 Nm / 4.4 lb.in.
Tightening torque, max.	0.6 Nm / 5.3 lb.in.

10 Connection to advanced communication board

The advanced communication board is a slot optional board that provides 4 relays for signal box activation.

Note!
When three slots are available, this option is only compatible with optional slot n.1 or slot n.2.

11 Test LED

CAUTION!
Push the button regularly before starting an examination session to check all warning LED bars operate correctly.

SIGNALLING BOX OPTION configuration

ⓕ XJ2: OFF - ⓔ XJ3: OFF

ⓑ	ADC OUTPUT	Description	Filter (s)	XB2 - Connector LED Board Controller
OUT1	C1	Request Technical Assistance	1	C1
	NO1			NC1
OUT2	C2	Battery Discharging	2	C2
	NO2			NO2
OUT3	C3	Battery Low / Imminent UPS stop alarm	1	C3
	NO3			NO3
OUT4	C4	Normal Operation	1	C4
	NO4			NO4

12 Buzzer OFF

CAUTION!
Before an examination session set the buzzer off button to 0 to enable the alarm buzzer. Red LED is kept ON if buzzer off button is set to 1.

Position "1" Position "0"

13

Green LED (continuous) The load is supplied and protected by the inverter.

Orange LED The input mains of the UPS is absent. The load is supplied and protected by the inverter through the battery with limited backup time. It is advisable to prepare to suspend the examination.

Red LED The battery is almost completely discharged. It is advisable to end the examination.

Blue LED One or more UPS generic alarms are present. It is advisable to ask for technical assistance.

Technical specifications	
Nominal Input Voltage:	100-240 Vac
Input Voltage Range:	85-264 Vac
Line frequency rated:	50/60 Hz
Input current rated:	0.6 A @120Vac, 0.3 A @240Vac
Input protection recommended:	10A
Operating temperature:	0 to 40 °C, 32 to 104 °F
Protection level:	IP20, NEMA 1
Relative humidity:	up to 95%
Dimensions	Width: 180 mm [7 1/16"]
	Depth: 74 mm [2 15/16"]
	Height: 225 mm [8 7/8"]
Weight:	5 kg [11 lb]