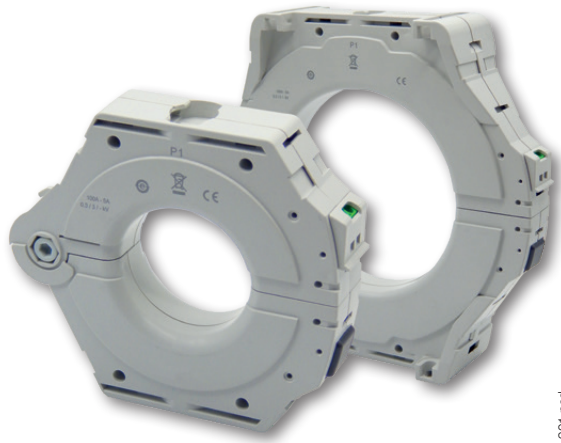


# ACCUline DCT-O

## Customisable split-core residual current transformer

from 85 to 250 A per phase - 3 mA to 30 A of fault current



gamme\_901.psd

### The solution for

- > Data centres
- > Energy
- > Infrastructure & Transport
- > Industry
- > Buildings

### Strong points

- > Multiple mounting
- > High immunity
- > Secure closure
- > Faster connection time
- > Infinitely customisable

### Conformity to standards

- > IEC 61869-1
- > IEC 60947-2 Annex M
- > IEC 62020
- > UL 508

## Function

DCT-O are split-core residual current transformers that measure type A residual current. In a circuit without faults, the vector sum of the currents is zero. DCT-O perform a vector sum of currents in the circuit to detect any anomalies. They are designed for residual current monitoring and protection.

## Advantages

### Multiple mounting

The DCT-O range offers various mounting options thanks to its versatile accessory. Whether on DIN rail or on backplate (front panel), DCT-Os are adaptable to your specific requirements.

### High immunity

The DCT-O range is distinguished by its complete winding around the core, offering unequalled accuracy by eliminating the inaccuracies associated with the arrangement of the conductors. Combined with the Socomec patented cable centralizer, this association enables electrical measurements of outstanding absolute reliability.

### Secure closure

The "One Click" system ensures fast, reliable closure, even under severe mechanical conditions.

### Faster connection time

Thanks to its quick connection kit, the DCT-O range makes it quick and easy to connect secondary wires, providing quick and easy installation.

### Infinitely customisable

The specifications are fully adjustable, enabling full customisation, from primary current to transformation ratio.

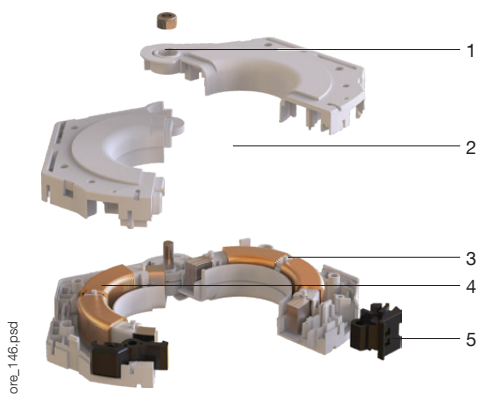
# ACCULine DCT-O

Customisable split-core residual current transformer  
from 85 to 250 A per phase - 3 mA to 30 A of fault current

## Current transformers adaptable to all your requirements

Socomec's DCT-O range can meet all your requirements thanks to its high capacity for customisation. From primary current to transformation ratios, the technical specifications can be adjusted to perfectly align with the requirements of your installation.

## List of customisable characteristics



1. Product type:
  - Split-core current transformer
2. Window size:
  - 50...120 mm
3. Per-phase current:
  - 85...250 A
  - Fault current:
  - 3 mA ...30 A
4. Transformation ratio
  - 500...8000/1
5. Secondary signal:
  - 10...100 mV
  - Output type:
    - Terminal block
    - Pre-wired

## Selection guide

Need to configure your current transformers? Use the table below to guide your selection. Start by selecting the dimensions of your frame. The technical specifications can be fully adapted. The rated operational current (A) represents the current flowing in a single phase, while the rated primary current (A) represents the residual current of the installation, also known as the fault current

Parameters	DCT-O-50	DCT-O-80	DCT-O-120	without frame
The rated operational current (A)	85	160	250	Contact us
Primary rated current range (A)	0.003...30			
Window size (mm)	50	80	120	
Transformation ratio	500/1...8000/1			
Secondary signal	10...100 mV			
Frequency (Hz)	50...60			
Output type	Terminal block Pre-wired			
Phase-neutral voltage	300 V			
Measurement category	CAT III			
Rated withstand voltage	3 kV			
IP Rating	IP20 / IK 07			
Operating altitude	<2000			
Operating temperature	-10...+70 °C			
Storage temperature	-25...+85 °C			

## References

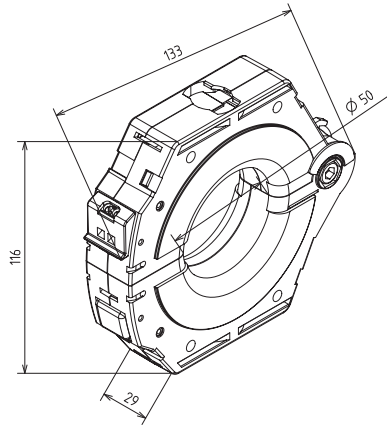
The ACCULine range offers the ability to adjust all parameters to create the perfect current transformer for your requirements. Do not hesitate to ask for advice or to obtain a quote by contacting your local Socomec dealer.

# ACCULine DCT-O

Customisable split-core residual current transformer  
from 85 to 250 A per phase – 3 mA to 30 A of fault current

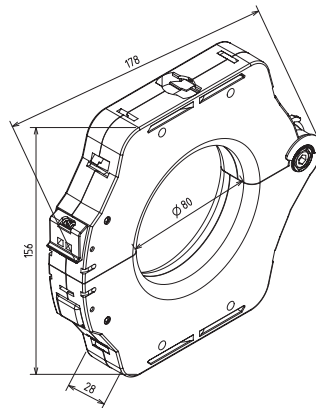
## Dimensions (mm)

DCT-O-50



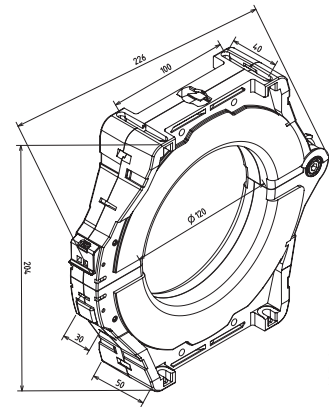
tore\_1165.ai

DCT-O-80



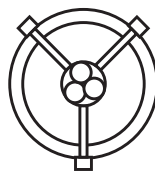
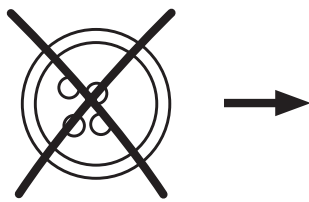
tore\_1166.ai

DCT-O-120

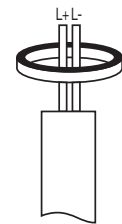
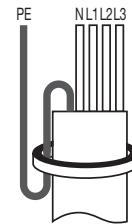
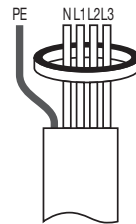


tore\_1167.ai

## Placement of primary conductors



isom\_087\_a\_1\_x\_cat.eps

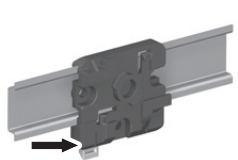


isom\_086\_b\_1\_x\_cat.eps

## Compatible accessories

### Mounting

With a single accessory you are free to mount the core on DIN rail and/or backplate in either orientation (vertical or horizontal).

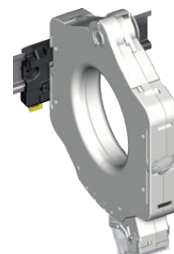


OR

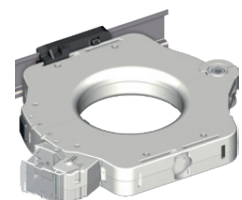
tore\_194.psd



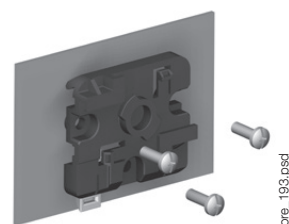
tore\_188.psd



tore\_187.psd



tore\_186.psd



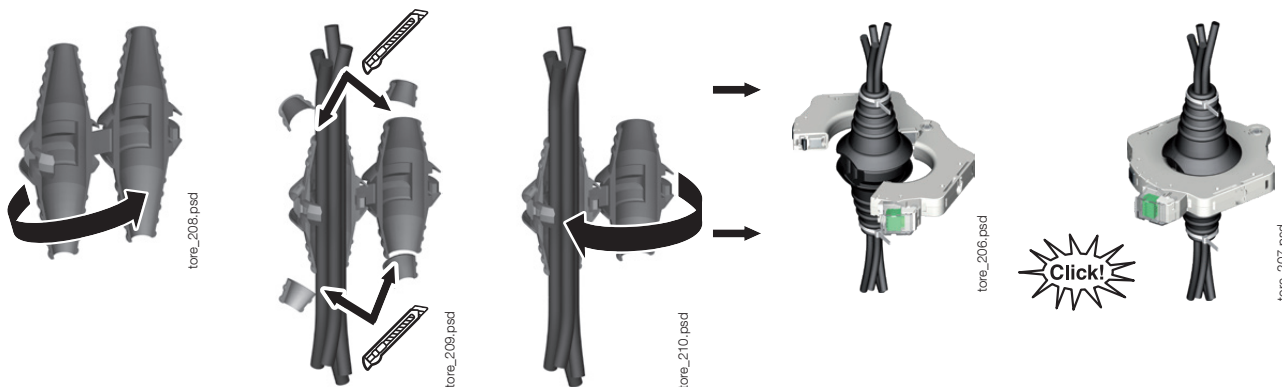
tore\_193.psd

# ACCULine DCT-O

Customisable split-core residual current transformer  
from 85 to 250 A per phase - 3 mA to 30 A of fault current

## Cable centralizer

The Socomec patented cable centralizer reduces errors associated with incorrect placement of the primary conductors at the centre of the core. If the conductors are not correctly centred, the measurement values can be incorrect, leading to spurious trips.



## Connection

The (optional) quick connection kit simplifies connection of wires to the current transformer secondary. This accessory reduces mounting time compared to a screw-on connector.



tore\_188.psd

Standard connection



tore\_190.psd

Quick connection kit

## Sealing

All DCT-O frames have an (optional) sealable cover. Sealing enables the cover to be sealed preventing any modification of the connections.



tore\_182.psd

Sealing with quick connection kit



tore\_192.psd

Sealing without quick connection kit