



F00006A

ESS Fuses Frame 2



Description

Socomec Frame 2 ESS series power fuses are specially engineered and tested to provide a premium protection in ESS and power distribution with currents from 160A to 800A with a breaking capacity of 250kA.

General characteristics

- Rated voltage : 1500 Vdc
- Amp rating : 160A – 800A
- Breaking capacity : 250kA
- Time constant : 3-5 ms
- Class : aR
- Frame 2 in this datasheet is without microswitch
- Optional microswitch available 61S00001

Operating conditions

- T° : -40°C – 120°C
- Altitude -2000m / +5000m
- Humidity : <50% @ 40°C, max 90% @ 20°C

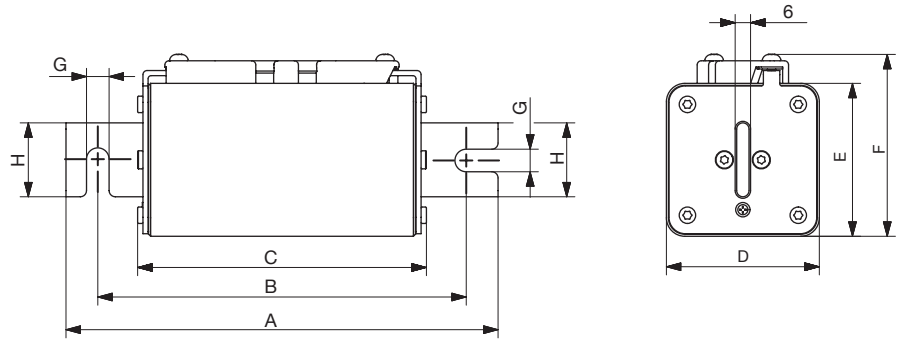
Standards

- UL : 248-1 / 248-13
- IEC : 60269-1/ 60269-2 / 60269-4
- 3rd part TUV for IEC certification
- RoHS and REACH Compliant

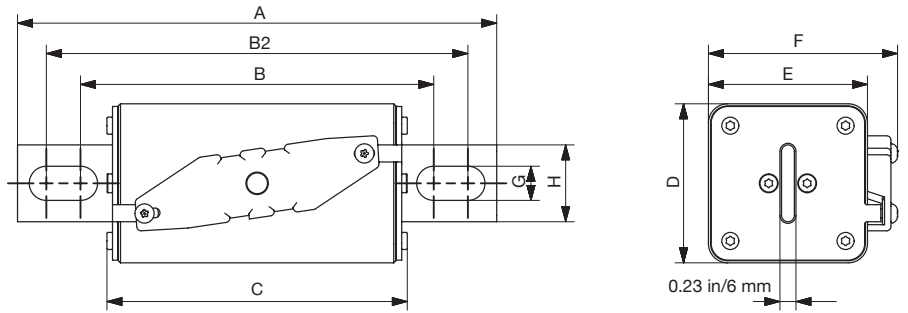
Rated current (A)	I ² t (A ² S)		Power Loss (W)	Reference			Package of
	Pre-Acring	Total		DIN	Bolted	Flush	
160	4 850	12 150	81	61S12016	61S22016	61S32016	8
200	12 900	32 508	90	61S12020	61S22020	61S32020	8
250	20 667	52 702	113	61S12025	61S22025	61S32025	8
280	24 704	63 737	125	61S12028	61S22028	61S32028	8
315	34 406	89 799	133	61S12032	61S22032	61S32032	8
350	45 240	119 433	143	61S12035	61S22035	61S32035	8
400	64 361	171 844	159	61S12040	61S22040	61S32040	8
450	85 836	231 757	168	61S12045	61S22045	61S32045	8
500	109 226	298 187	183	61S12050	61S22050	61S32050	8
550	134 094	370 099	204	61S12055	61S22055	61S32055	8
630	194 817	543 539	213	61S12063	61S22063	61S32063	8
700	263 007	741 680	236	61S12070	61S22070	61S32070	8
800	389 471	1 109 993	253	61S12080	61S22080	61S32080	8

		Din	Bolted	Fluch
A	in	8,29	8,76	5,96
	mm	211	222,5	152
B	in	7,07	6,59	/
	mm	180	168	/
B2	in	/	7,78	/
	mm	/	198	/
C	in	5,50	5,50	5,50
	mm	140	140	140
D	in	2,33	2,33	2,33
	mm	59,2	59,2	59,2
E	in	2,33	2,33	2,33
	mm	59,2	59,2	59,2
F	in	3,03	3,03	3,03
	mm	77	77	77
G	in	0,43	0,55	/
	mm	11	14	/
H	in	1,10	1,10	/
	mm	28	28	/
I	in	/	/	0,94
	mm	/	/	24
J	Bolt	/	/	M10

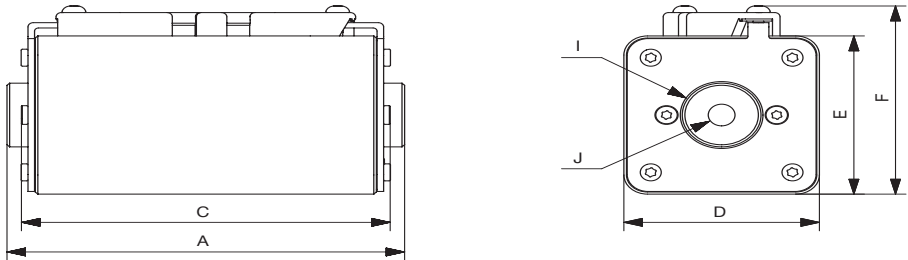
Mounting type 1 : DIN



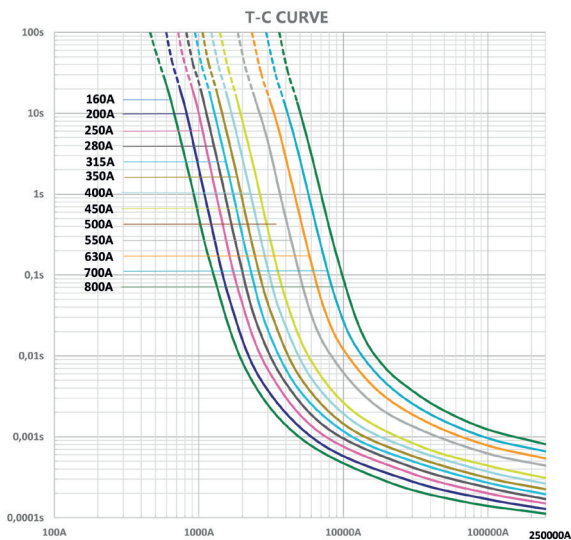
Mounting type 2 : Bolted



Mounting type 3 : Flush



Time current curves



Temperature derating

