

FUSERBLOC UL

Fuse load break switches

from 30 to 800 A

Fuse protection



Function

FUSERBLOC UL units are manually-operated multipole fuse load break switches with external right front-side operation and comply with UL and CSA standards. They provide make and break on load and safety isolation and protection against overcurrent for any low voltage electrical circuit. The switches use double-pole isolator contacts to ensure complete isolation of the fuse when the switch is in the "OFF" position. These devices are suitable for use as disconnectors for motors and industrial control panels on service entrance equipment, final panelboards, distribution switchboards, industrial control equipment or motor control centres. This range is available in right front-side, direct or external control, in 2, 3 and 4 poles and up to 800 A.

Advantages

Improved safety

The double phase isolator (upstream/downstream of the fuse) and fully visible isolation guarantee the safety of people and equipment against overcurrents.

High breaking capacity

High breaking capacity fuses (200 kA rms) provide protection against overloads and shortcircuits.

Multi-use

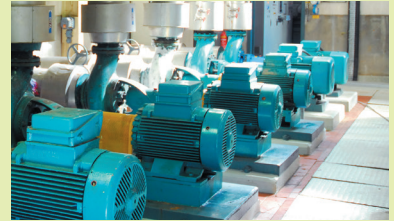
The device can be equipped with a "Flange" type front or side operation handles, fitted directly on the product or externally, with the possibility of installing it on the door or the side of the electrical box or cabinet. The device is also equipped with voltage measurement terminals for taking measurements as well as an NFPA 79 compliance kit available as an option.

Simplified use

The TEST position enables testing of the control circuits without turning on the power thanks to the use of U-type auxiliary contacts. In the TEST position, the cabinet door can be opened.

The solution for

- > Data centre
- > Healthcare
- > Industry
- > Building



Strong points

- > Improved safety
- > High breaking capacity
- > Multi-use
- > Simplified use

Conformity to standards

- > IEC 60947-3
- > UL489 (box 1 and 2)
- > UL 98 (box 4 to 8)
- > CSA 22.2 #4 (box 1 and 2)
- > CSA 22.2 #5 (box 4 to 8)
- > NFPA 79 (2002 version)



Enclosures

- > Enclosed fusible disconnect switch available, please consult page



General characteristics

- For fuses up to 800 A.
- Up to 200 kA.
- AC voltage from 208 V to 600 V.
- Accepts Class CC, J and L fuses.
- 2P, 3P or 4P available.

References

Fusible disconnect

Rating (A) Fuses Frame size	No. of poles	Switch body	Direct handle	Front external handle	External right side handle ⁽¹⁾	Shaft external handle	NFPA79 kit	U-type auxiliary contacts	Terminal shrouds			
CD 30 A CC 1	3 P	3710 3003	Black 3729 4012	S0 type Black I - 0		S0 type 200 mm 7.9 inches 1405 0620	3729 4532 ⁽²⁾					
	3 P + switched neutral	3710 4003		1, 3R, 12 1493 0111		320 mm 12.6 inches 1405 0632						
	3 P + solid neutral	3710 5003		4, 4X 149D 0111		400 mm 15.7 inches 1405 0640						
CD 30 A J 2	3 P	3710 3004	3729 4014	S1 type Black I - 0		S1 type 200 mm 7.9 inches 1401 0520		1 contact NO 3999 0701 1 contact NC 3999 0702	not required			
	3 P + switched neutral	3710 4004		1, 3R, 12 141F 2111		320 mm 12.6 inches 1401 0532						
	3 P + solid neutral	3710 5004		4, 4X 141D 2111		400 mm 15.7 inches 1401 0540						
30 A J 4	2 P	3861 2004	Black 3629 7910	I - 0 1, 3R, 12 Defeatable 141F 2111	S1 type Black I - 0 4, 4X 141H 6111	S1 type 200 mm 7.9 inches 1400 1020	3729 7540					
	3 P	3861 3004								4, 4X Defeatable 141D 2111	S1 type Red / yellow I - 0 4, 4X 141I 6111	320 mm 12.6 inches 1400 1032
	4 P	3861 6004										
60 A J 4	2 P	3861 2005										
	3 P	3861 3005										
	4 P	3861 6005										

Common accessories - more available on next pages.

(1) No door interlocking.

(2) Please use with S1 handle

FUSERBLOC UL

Fuse load break switches

from 30 to 800 A

References (continued)

Rating (A) Fuses Frame size	No. of poles	Switch body	Direct handle	Front external handles	External right side handle ⁽¹⁾	Shaft for external handle	NFPA79 kit	U-type auxiliary contacts	Terminal shrouds				
60 A J 5	2 P	3861 2006	Black 3629 7910	S2 type Black I - 0 1, 3R, 12 Defeatable 142F 2111 4, 4X Defeatable 142D 2111	S2 type Black I - 0 4, 4X 142H 6111 Red / yellow I - 0 4, 4X 142I 6111	S2 type 200 mm 7.9 inches 1400 1020 320 mm 12.6 inches 1400 1032 400 mm 15.7 inches 1400 1040	3729 7540	1 contact type NO 3999 0701 1 contact type NC 3999 0702	not required				
	3 P	3861 3006											
	4 P	3861 6006											
100 A J 5	2 P	3861 2010											
	3 P	3861 3010											
	4 P	3861 6010											
200 A J 6	2 P	3861 2020											
	3 P	3861 3020											
	4 P	3861 6020											
400 A J 7	2 P	3851 2038					Black 3859 6011		S3 type Black I - 0 1, 3R, 12 Defeatable 143F 3111 4, 4X Defeatable 143D 3111	-	S3 type 200 mm 7.9 inches 1400 1220 320 mm 12.6 inches 1400 1232 400 mm 15.7 inches 1400 1240	3729 7544	3898 2020 3898 3020 3898 4020 3898 2040 3898 3040 3898 6040
	3 P	3851 3038											
	4 P	3851 6038											
600 A J 8	2 P	3850 2060											
	3 P	3850 3060											
	4 P	3850 6060											
800 A L 8	2 P	3850 2080											
	3 P	3850 3080											
	4 P	3850 6080											

Common accessories - more available on next pages.

(1) No door interlocking.

Accessories

Electronic fuse operation indication (FMD)

Use

For fuse cartridge BS88, DIN and UL.

Principle

The FMD detects fuse operation using a bistable relay and a signaling LED. It can be mounted on a DIN rail, a back plate, next to the FUSERBLOC, or on the door.

References

For FUSERBLOC 100 to 800 A

Nb of leds	Type	Operating voltage Ph/Ph	Reference
3	FMD30	120 - 260 VAC	3899 3120
3	FMD30	380 - 690 VAC	3899 3380

Accessories		Reference
Kit for connection accessories	Standard	3819 9120
Kit for connection accessories	Door mounted	3829 9120

Relay characteristics

Type	Relay operating current I _c (A)	
	AC-15	DC-13
FMD30	2.5 A	0.2



FMD30
3-LEDs version

NFPA79 accessories

Flange handle for flange operation

Use

Meets both UL 508A and NFPA 79 requirements.
The handle will operate the switch by cable or rod.

Rating (A)	Type	Nema type	Reference
30 ... 200	Standard handle	1, 3, 3R, 4, 12	3729 9002 ⁽¹⁾
30 ... 200	Chrome plated handle	1, 3, 3R, 4, 4X, 12	3729 9003 ⁽¹⁾

For 400 A rating, please consult us.
(1) Defeatable handle.



Cable operator

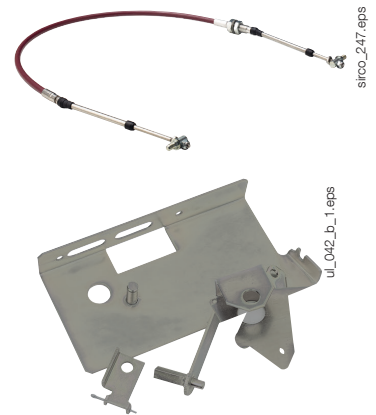
Use

Link between the flange handle and the switch, please order the flange handle, the mechanism and a cable length of your choice.

Rating (A)	Description	Reference
30 ... 200	Cable flange mechanism	3729 9903

Cable length (inches)	Cable length (mm)	Reference
36	900	3729 9992
60	1500	3729 9993
120	3000	3729 9994

For 400 A rating, please consult us.



Rod operator

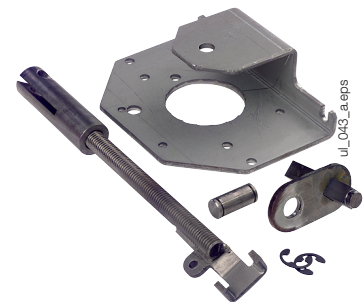
Use

Link between the flange handle and the switch. The rod flange is an economical solution, please order the flange handle and a rod kit.

Rating 30 ... 200 A

For enclosure depth (inches)	For enclosure depth (mm)	Reference
8 ... 24	203 ... 613	3729 9904

For 400 A rating, please consult us.



NFPA 79 "Through the door" kit

Use

Meets both UL 508A and NFPA 79 requirements.

Allows retrofit of your installations for ratings from 30 to 800 A.

Please order an S-type external handle separately.

Number of auxiliary contact installed on the switch will be limited to 1 layer (instead of 2).

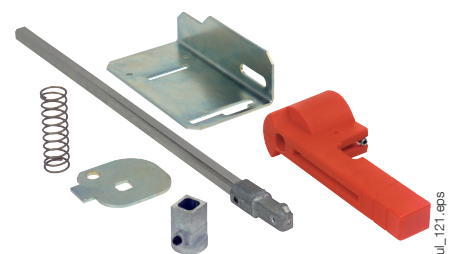
If more needed please use the S type auxiliary contacts.

Delivered with a 12.6 in / 320 mm shaft.

For longer shafts, please consult us.

Rating (A)	Frame size	Reference
CD 30	1/2	3729 4532 ⁽¹⁾
30 ... 200	3 ... 6	3729 7540
400	7	3729 7544
600 ... 800	8	3729 7552

(1) Please use with S1 handle.



FUSERBLOC UL

Fuse load break switches

from 30 to 800 A

Accessories

Direct handle

Rating (A)	Color	Fuses	Fig.	Reference
CD 30	Black	CC	1	3729 4012
CD 30	Black	J	1	3729 4014
30 ... 400	Black	J	2	3629 7910
600 ... 800	Black	J / L	2	3859 6011



Fig. 1

Fig. 2

External handle

Use

The locking function of the front external handle prevents the user from opening the door of the enclosure when the switch is in the "ON" position, and when the switch is padlocked in the "OFF" position (S1, S2, S3 and S4 type handles only).

Opening the door when the switch is in the "ON" position is possible by defeating the interlocking function with the use of a tool (authorized persons only).

The interlocking function is restored when the door is re-closed.

Front operation

Rating (A)	Frame size	Handle type	Nema type	Test	Handle color	Reference
CD 30	1/2	S0 ⁽¹⁾	1, 3R, 12	I - 0	Black	1493 0111
CD 30	1/2	S0 ⁽¹⁾	1, 3R, 12	I - 0	Red/Yellow	1494 0111
CD 30	1/2	S0 ⁽¹⁾	4, 4X	I - 0	Black	149D 0111
CD 30	1/2	S0	4, 4X	I - 0	Red/Yellow	149E 0111
CD 30 ... 60	1/2/4	S1	1, 3R, 12	I - 0	Black	141F 2111
CD 30 ... 60	1/2/4	S1	1, 3R, 12	I - 0	Red/Yellow	141G 2111
CD 30 ... 60	1/2/4	S1	4, 4X	I - 0	Black	141D 2111
CD 30 ... 60	1/2/4	S1	4, 4X	I - 0	Red/Yellow	141E 2111
CD 30 ... 60	1/2/4	S1	4, 4X	I - 0 - Test	Black	141D 2115
CD 30 ... 60	1/2/4	S1	4, 4X	I - 0 - Test	Red/Yellow	141E 2115
60 ... 200	5 ... 7	S2	4, 4X	I - 0 - Test	Black	142D 2115
60 ... 200	5 ... 7	S2	4, 4X	I - 0 - Test	Red/Yellow	142E 2115
60 ... 400	5 ... 7	S2	1, 3R, 12	I - 0	Black	142F 2111
60 ... 400	5 ... 7	S2	1, 3R, 12	I - 0	Red/Yellow	142G 2111
60 ... 400	5 ... 7	S2	4, 4X	I - 0	Black	142D 2111
60 ... 400	5 ... 7	S2	4, 4X	I - 0	Red/Yellow	142E 2111
600 ... 800	8	S3	1, 3R, 12	I - 0	Black	143F 3111
600 ... 800	8	S3	1, 3R, 12	I - 0	Red/Yellow	143G 3111
600 ... 800	8	S3	4, 4X	I - 0	Black	143D 3111
600 ... 800	8	S3	4, 4X	I - 0	Red/Yellow	143E 3111

(1) S0: No interlock in the OFF position.

Front operation

Rating (A)	Frame size	Handle type	Nema type	Test	Handle color	Reference
CD 30 ... 60	1/2/4	S1	4, 4X	I - 0	Black	141D 2911
CD 30 ... 60	1/2/4	S1	4, 4X	I - 0	Red/Yellow	141E 2911
60 ... 400	5 ... 7	S2	4, 4X	I - 0	Black	142D 2911
60 ... 400	5 ... 7	S2	4, 4X	I - 0	Red/Yellow	142E 2911
600 ... 800	8	S3	4, 4X	I - 0	Black	143D 3911
600 ... 800	8	S3	4, 4X	I - 0	Red/Yellow	143E 3911

Right side operation

Rating (A)	Frame size	Handle type	Nema type	Test	Handle color	Reference
30 ... 60	4	S1	4, 4X	I - 0	Black	141H 6111
30 ... 60	4	S1	4, 4X	I - 0	Red/Yellow	141I 6111
100 ... 400	5 ... 7	S2	4, 4X	I - 0	Black	142H 6111
100 ... 400	5 ... 7	S2	4, 4X	I - 0	Red/Yellow	142I 6111
600 ... 800	8	S3	4, 4X	I - 0	Black	consult us
600 ... 800	8	S3	4, 4X	I - 0	Red/Yellow	consult us



S0-type handle



S-type handle



S2-type handle



S3-type handle

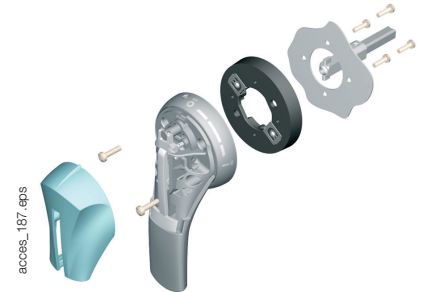
Accessories (continued)

S-type handle raiser

Use
Enables S-type handles to be fitted in place of existing older style Socomec handles. Adapter can also be used as a spacer to increase the distance between the panel door and the handle lever.

Dimensions
Increases distance to door by 0.47 in / 12 mm.

Handle color	Pack qty	External degree of protection (IP)	Reference
Black	10	IP65	1493 0000

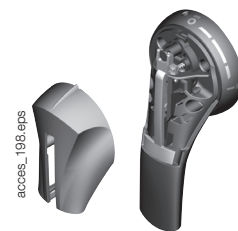


Alternative color S-type handle cover

Use
For single lever handle S-type S1, S2, S3 and double lever handle, type S4.

Other colors:
please consult us.

Handle color	Pack qty	Handle type	Reference
Light grey	50	S2, S3	1401 0001
Dark grey	50	S2, S3	1401 0011
Light grey	50	S4	1401 0031
Dark grey	50	S4	1401 0041



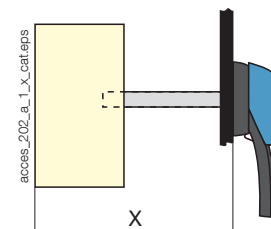
Shaft for external handle

Use
Standard lengths:

- 7.9 in / 200 mm,
- 12.6 in / 320 mm,
- 15.7 in / 400 mm.

Other lengths:
please consult us.

Rating (A)	Dimensions X		Length		Reference
	(in)	(mm)	(in)	(mm)	
CD 30	4.02 ... 9.65	102 ... 245	7.9	200	1405 0620
CD 30	4.02 ... 14.37	102 ... 365	12.6	320	1405 0632
CD 30	4.02 ... 17.52	102 ... 445	15.7	400	1405 0640
CD 30	4.02 ... 9.65	102 ... 245	7.9	200	1401 0520
CD 30	4.02 ... 14.37	102 ... 365	12.6	320	1401 0532
CD 30	4.02 ... 17.52	102 ... 445	15.7	400	1401 0540
30 ... 100	5.3 ... 9.06	135 ... 230	7.9	200	1400 1020
30 ... 100	5.3 ... 13.78	135 ... 350	12.6	320	1400 1032
30 ... 100	5.3 ... 16.93	135 ... 430	15.7	400	1400 1040
30 ... 100	5.3 ... 20.87	135 ... 530	19.7	500	1400 1050
200	5.7 ... 9.06	145 ... 230	7.9	200	1400 1020
200	5.7 ... 13.78	145 ... 350	12.6	320	1400 1032
200	5.7 ... 16.93	145 ... 430	15.7	400	1400 1040
200	5.7 ... 20.87	145 ... 530	19.7	500	1400 1050
400	7.87 ... 10.24	200 ... 260	7.9	200	1400 1020
400	7.87 ... 14.96	200 ... 380	12.6	320	1400 1032
400	7.87 ... 18.1	200 ... 460	15.7	400	1400 1040
400	7.87 ... 22	200 ... 560	19.7	500	1400 1050
600 ... 800	10.63 ... 11.97	270 ... 304	7.9	200	1400 1220
600 ... 800	10.63 ... 16.69	270 ... 424	12.6	320	1400 1232
600 ... 800	10.63 ... 19.84	270 ... 504	15.7	400	1400 1240
600 ... 800	10.63 ... 23.78	270 ... 604	19.7	500	1400 1250



FUSERBLOC UL

Fuse load break switches

from 30 to 800 A

Accessories (continued)

External front operation shaft support accessory

Use

This support maintains shaft position for extension shafts greater than 12.6 in / 320 mm in length.

Rating (A)	Frame size	Reference
50 ... 400	11 ... 16	3899 0400



Shaft guide for external handle

Use

This accessory enables handle to engage shaft with a misalignment of up to 0.59 in / 15 mm.

Required for a shaft length over 400 mm for S1 to S3 handles and for a shaft from 12.6 in / 320 mm for S0 handle.

Description	Reference
Shaft guide for S1 to S3 handles	1429 0000
Shaft guide for S0 handle	1419 0000



U-type auxiliary contacts

Use

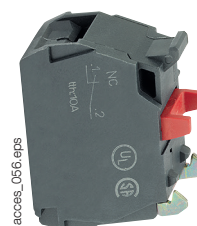
U-type AC can be configured to be operated on both, standard and TEST position switches from CD 30 to 800 A. Each slot can accommodate up to 2 interlocked ACs.

- For CD 30A/CC, a maximum of 4 ACs (8 with an additional holder);
- For CD 30A/J, maximum 2 ACs (6 with an additional holder);
- For 30 to 200A/J, maximum 4 ACs;
- For 400 to 800A/L, maximum 8 ACs.

Electrical characteristics

A600.

When FUSERBLOC is front operated, ACs are prebreak and signaling position I and 0. When FUSERBLOC is side operated, ACs are signaling positions I and 0.



NO auxiliary contacts

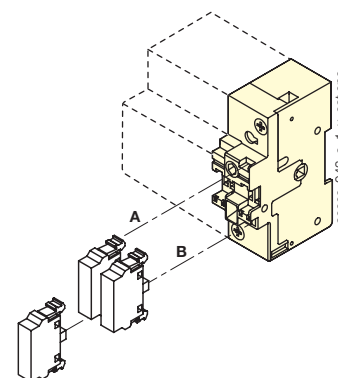
Rating (A)	Number of contacts	Reference
CD 30 ... 800	1	3999 0701

NC auxiliary contacts

Rating (A)	Number of contacts	Reference
CD 30 ... 800	1	3999 0702

Contact holder for additional auxiliary contacts

Rating (A)	Fuses	Reference
CD 30	CC	3999 0710
CD 30	J	3999 0710



CD 30 : U-type auxiliary contacts cannot be mounted on switches with direct operation handle

S-type auxiliary contacts

Use

Side operated auxiliary contacts for FUSERBLOC 30 to 400 A, position OFF and ON signalled by 1 to 4 NO + NC auxiliary contacts.

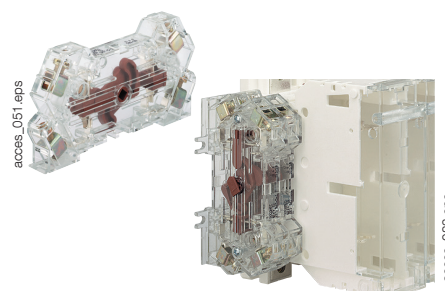
Electrical characteristics

A600/D600.

S-type auxiliary contacts are signaling position I and 0.

NO+NC auxiliary contacts

Rating (A)	Number of contacts	Reference
30 ... 800	1	3999 U041
30 ... 800	2	3999 U042



Accessories (continued)

Terminal shrouds

Use

Top or bottom protection against direct contact with terminals or connection parts.

2 sets required to fully shroud both line and load terminals.

Front and side operation

Rating (A)	No. of poles	Reference ⁽¹⁾
30 ... 100	2/3/4 P	as standard
200	2 P	3898 2020
200	3 P	3898 3020
200	4 P	3898 4020
400	2 P	3898 2040 ⁽²⁾
400	3 P	3898 3040 ⁽²⁾
400	4 P	3898 6040 ⁽²⁾
600 ... 800	2 P	3898 2080 ⁽³⁾
600 ... 800	3 P	3898 3080 ⁽³⁾
600 ... 800	4 P	3898 4080 ⁽³⁾

(1) Top or bottom.

(2) Not compatible with 2 wire lugs (3954x041).

(3) Line side delivered as standard.



fuser_314.eps

Terminals lugs

Use

Connection of cables to the terminals.

Rating (A)	Wires range	No wires per lug	Lugs per kit	Wires	Reference
CD 30	#14 - #10	1		Cu	as standard
30	#14 - #10	1		Cu	as standard
30 ... 60	#10 - #6	1		Cu	as standard
60 ... 100	#12 - #1	1		Cu	as standard
200	#6 - 300MCM	1	2	Cu / Al	3954 2020
200	#6 - 300MCM	1	3	Cu / Al	3954 3020
200	#6 - 300MCM	1	4	Cu / Al	3954 4020
400	#2 - 600MCM	1	2	Cu / Al	3954 2040
400	#2 - 600MCM	1	3	Cu / Al	3954 3040
400	#2 - 600MCM	1	4	Cu / Al	3954 4040
400	2 x (#6 - 350 MCM)	2	2	Cu / Al	3954 2041
400	2 x (#6 - 350 MCM)	2	3	Cu / Al	3954 3041
400	2 x (#6 - 350 MCM)	2	4	Cu / Al	3954 4041
600 ... 800	2 x (#2 - 600MCM)	1	2	Cu / Al	3954 2060
600 ... 800	2 x (#2 - 600MCM)	2	3	Cu / Al	3954 3060
600 ... 800	2 x (#2 - 600MCM)	2	4	Cu / Al	3954 4060



ul_002.eps

Solid links

Use

Connection of cables to the terminals.

Rating (A)	Fuses	No of links per kit	Reference
100	J	3	3799 9010
200	J	3	3799 9020
400	J	3	3799 9040
600 ... 800	J / L	3	3799 9080



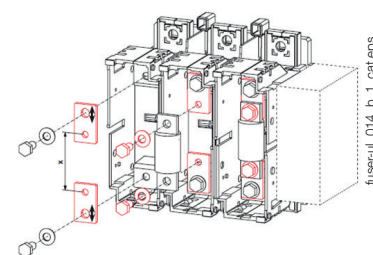
fuser-019_a_1_cat.eps

Class T fuse adapter

Use

The adapter makes it possible to fit class T fuses in the FUSERBLOC fuse switches.

Rating (A)	Size Class T fuse		No. of poles	Reference
	(in)	(mm)		
100	2.34	59.5	3 P	3729 8010
200	2.48	63	3 P	3729 8020
400	2.71	69	3 P	3729 8040
600	2.95	75	3 P	3729 8060
800	3.17	80.5	3 P	3729 8080



fuser-ul_014_b_1_cat.eps

FUSERBLOC UL

Fuse load break switches

from 30 to 800 A

Characteristics according to UL 98/CSA 22.2 #4

CD 30 to 800 A

Characteristics UL and CSA	CD 30 A ⁽³⁾	CD 30 A ⁽³⁾	30 A	60 A	60 A	100 A	200 A	400 A	600 A	800 A
Short circuit rating at 600 VAC (kA)	100	100	200	100	200	200	200	200	200	200
Type of fuse	CC	J	J	J	J	J	J	J	J	L
Max. fuse rating (A)	30	30	30	60	60	100	200	400	600	800
Max. motor hp / FLA 1 ph motor max.										
120 VAC	2 / 24	2 / 24	2 / 24	5 / 56	5 / 56	7.5 / 80	15 / 135	-	-	-
240 VAC	5 / 28	5 / 28	5 / 28	10 / 50	10 / 50	20 / 88	40 / 176	50 / 216	-	-
Max. motor hp / FLA 3 ph motor max.										
220-240 VAC	7.5 / 22	7.5 / 22	7.5 / 22	15 / 42	15 / 42	30 / 80	60 / 154	125 / 312	200 / 480	200 / 480
440-480 VAC	15 / 21	15 / 21	15 / 21	30 / 40	30 / 40	60 / 77	125 / 156	250 / 302	500 / 590	500 / 590
600 VAC	20 / 22	20 / 22	20 / 22	50 / 52	50 / 52	75 / 77	150 / 144	350 / 336	500 / 472	500 / 472
125 VDC ⁽¹⁾	3 / 25	3 / 25	3 / 25	3 / 25	3 / 25	7.5 / 58	15 / 112	20 / 148	-	-
250 VDC ⁽²⁾	5 / 20	5 / 20	5 / 20	10 / 38	10 / 38	20 / 38	40 / 140	50 / 173	-	-
Mechanical endurance										
Endurance (number of operating cycles)	10 000	10 000	10 000	10 000	10 000	10 000	8 000	6 000	5 000	5 000
Operating torque (lbs.in / Nm)	31 / 3.5	31 / 3.5	71 / 8	71 / 8	71 / 8	71 / 8	90 / 10.2	150 / 17	586 / 66.2	586 / 66.2
Connection										
Min. connection cross-section/ (mm ²) ⁽²⁾	#14	#14	#14 ^{(4) (5)}	#14 ^{(4) (5)}	#10	#10	#6	#2 or 2 x #6	2 x #2	2 x #2
Max. connection cross-section/ (mm ²) ⁽²⁾	#10	#10	#10 ^{(4) (6)}	#10 ^{(4) (6)}	#2/0	#2/0	300MCM	600MCM or 2 x 350MCM	2 x 600MCM	2 x 600MCM

Common accessories - more available on next pages.

(1) 2 pole in series.

(2) 3 pole in series.

(3) UL 489/CSA22.2 #5. (4) Double wire solid Cu min and max 2 x #10

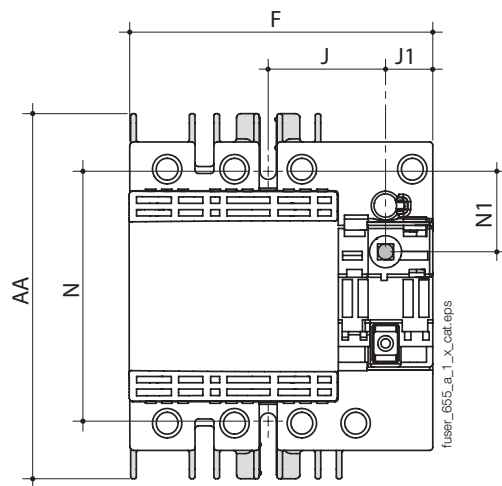
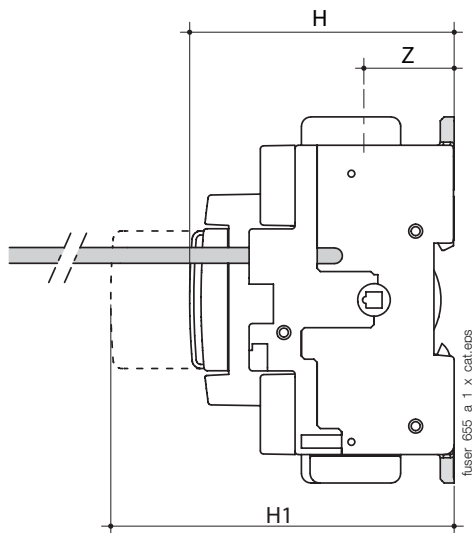
(4) Double wire solid Cu min and max 2 x #10

(5) Double wire stranded Cu min 2 x #12

(6) Double wire stranded Cu max 2 x #10

Dimensions (in/mm)

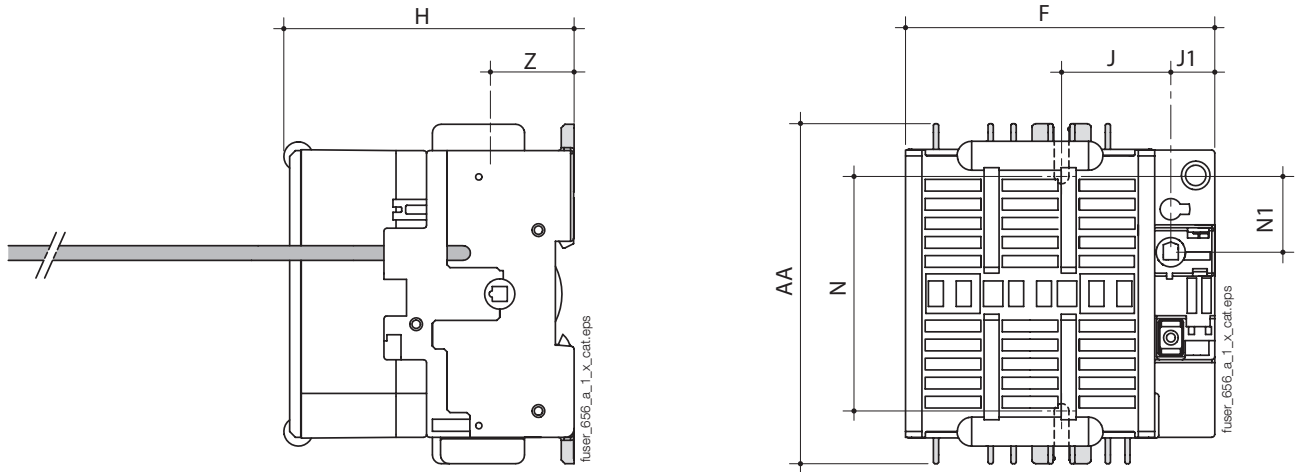
CD 30 A / CC - Frame size 1



Rating (A) / Fuse	Unit	Switch body					Switch mounting		Connection	
		F	H	H1	J	J1	N	N1	AA	Z
CD 30 A / CC	in	3.78	3.28	5.19	1.47	0.59	3.13	1	4.56	1.12
	mm	96	83.5	132	37.5	15	79.5	25.5	116	28.5

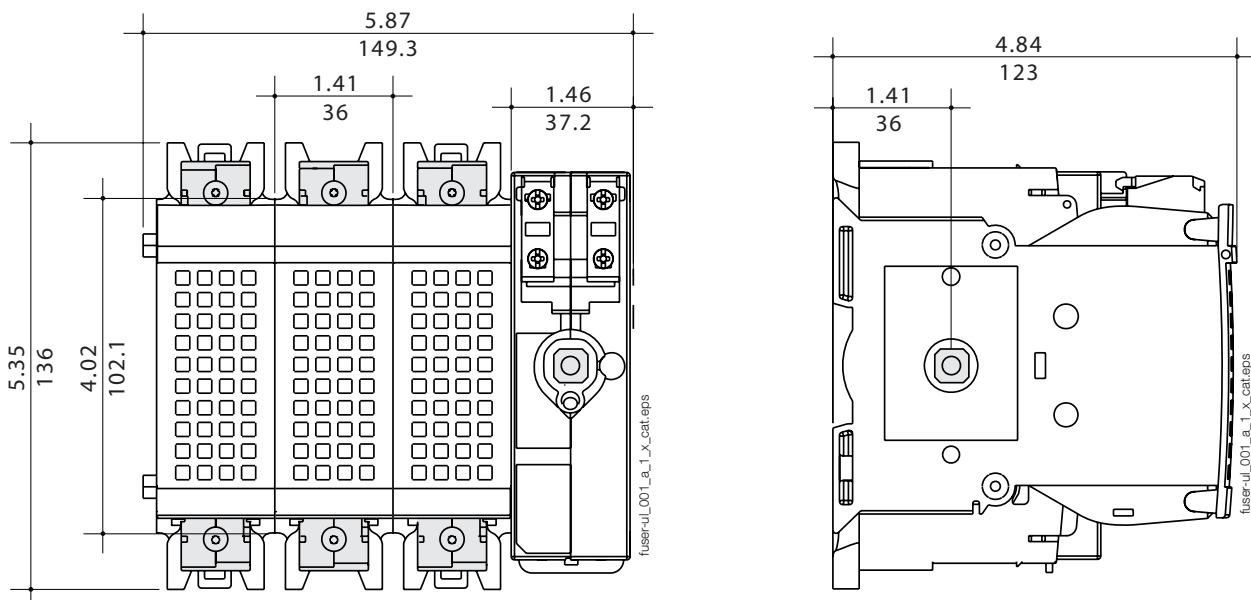
Dimensions (in/mm) (continued)

CD 30 A / J - Frame size 2



Rating (A) / Fuse	Unit	Switch body				Switch mounting		Connection	
		F	H	J	J1	N	N1	AA	Z
CD 30 A / J	in	4.13	3.89	1.47	0.59	3.30	1	4.56	1.12
	mm	105	99	37.5	15	84	25.5	116	28.5

30 to 60 A / J - Frame size 4



Note for width:
 For 2 pole device decrease overall width by 1.41 in / 36 mm.
 For 4 pole device increase overall width by 1.41 in / 36 mm.

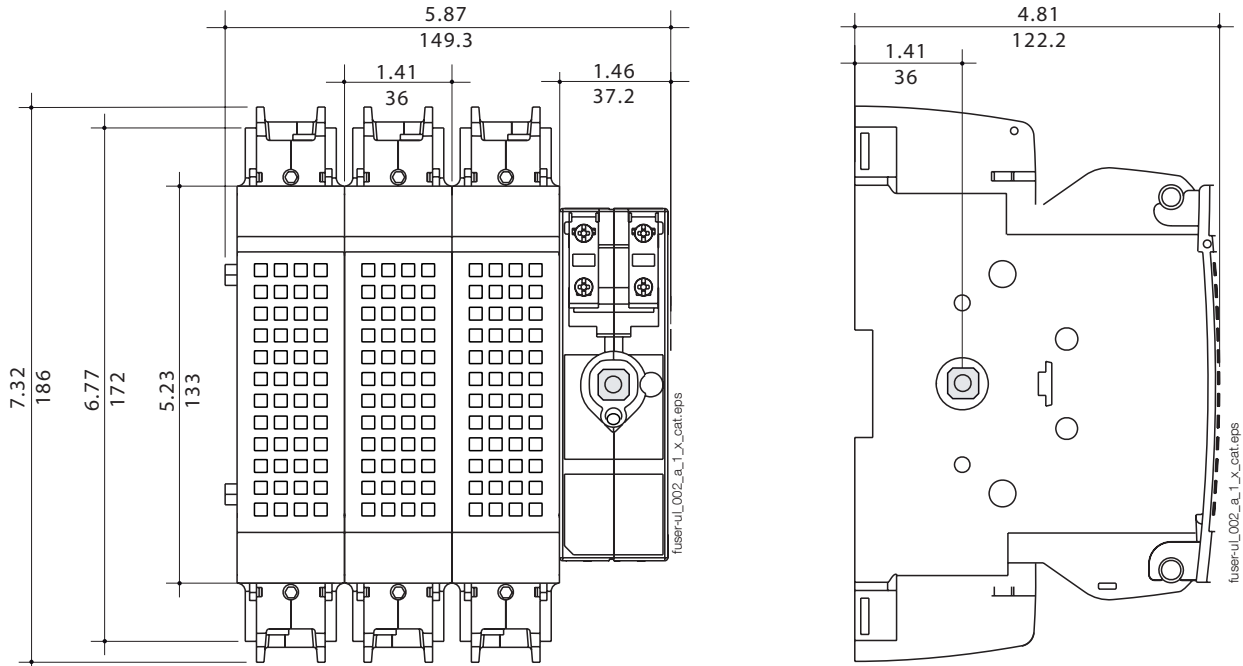
FUSERBLOC UL

Fuse load break switches

from 30 to 800 A

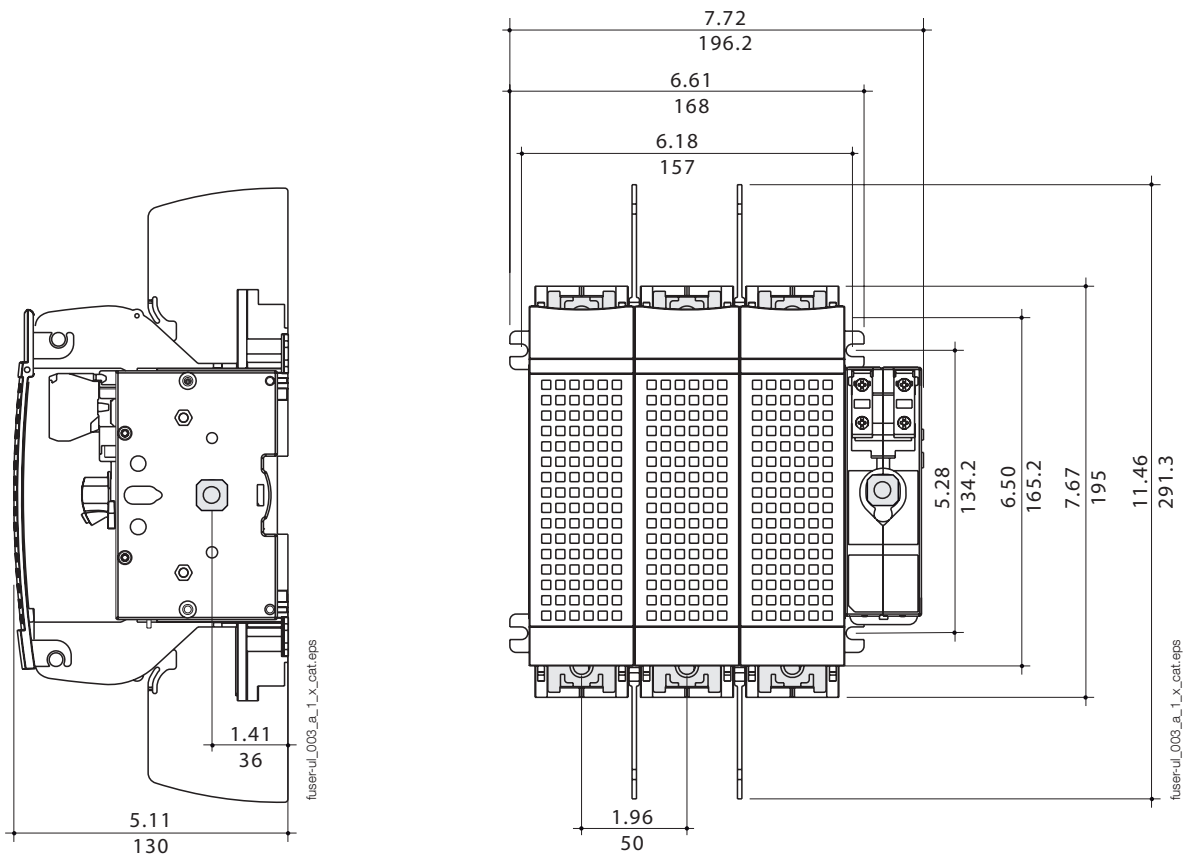
Dimensions (in/mm) (continued)

60 to 100 A / J - Frame size 5



Note for width:
 For 2 pole device decrease overall width by 1.41 in / 36 mm.
 For 4 pole device increase overall width by 1.41 in / 36 mm.

200 A / J - Frame size 6



Note for width:
 For 2 pole device decrease overall width by 1.96 in / 50 mm.
 For 4 pole device increase overall width by 1.96 in / 50 mm.

FUSERBLOC UL

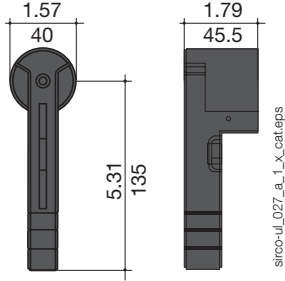
Fuse load break switches

from 30 to 800 A

Dimensions (in/mm) (continued)

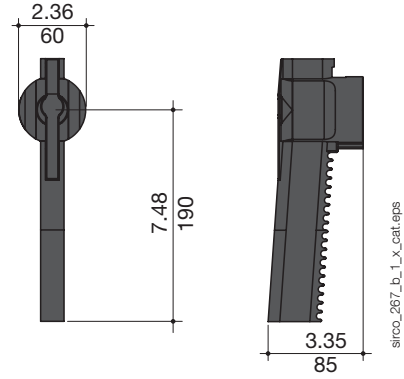
30 to 400 A

Front direct handle



600 to 800 A

Front direct handle



External handle dimensions (in/mm)

CD 30 A - Frame size 1 / 2

Handle type	Front operation Direction of operation	Side operation Direction of operation	Door drilling
S0 type 			<p>With 4 fixing screws</p> <p>With fixing nut</p>

fuser-ul_018_a_1_gb_cat.eps

CD 30 to 60 A - Frame size 1 / 2 / 4

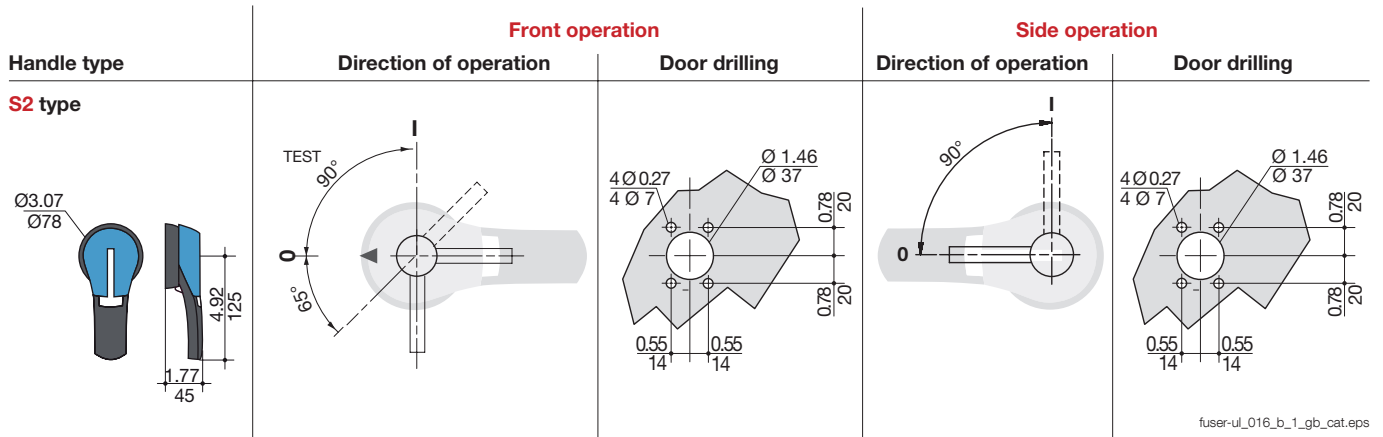
Handle type	Front operation Direction of operation	Door drilling	Side operation ⁽¹⁾ Direction of operation	Door drilling
S1 type 				

fuser-ul_015_b_1_gb_cat.eps

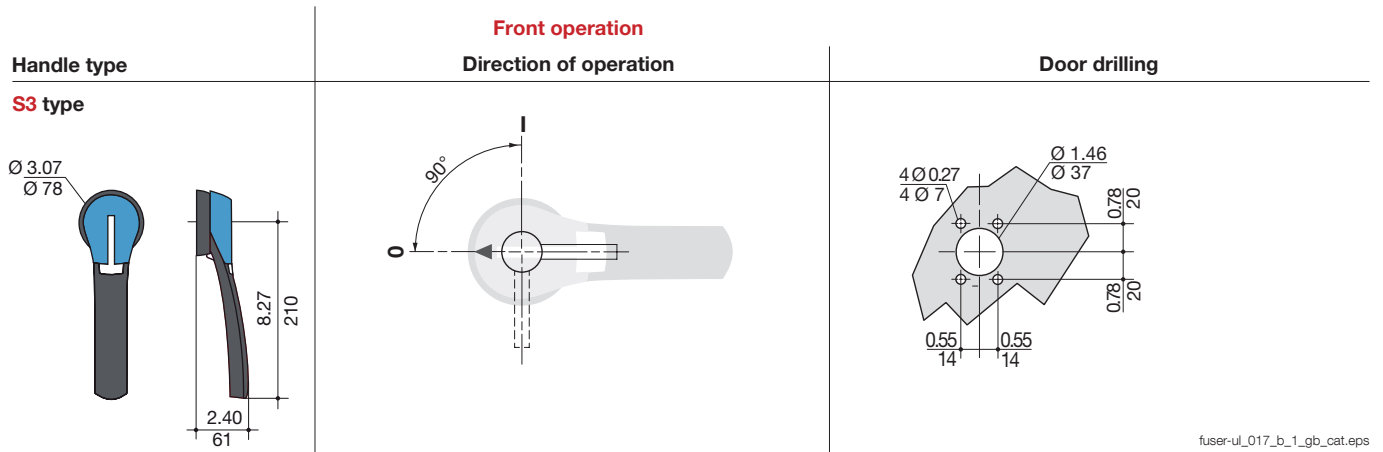
(1) Not for frames 1 and 2.

External handle dimensions (in/mm) (continued)

60 to 400 A - Frame size 5 / 6 / 7

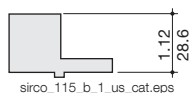
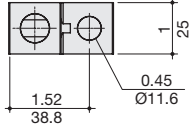


600 and 800 A - Frame size 8



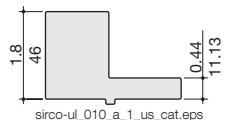
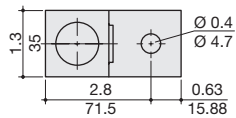
Terminal lugs (in/mm)

200 A



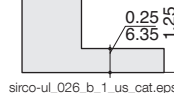
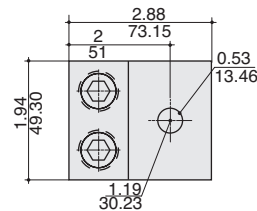
300 kcmil

400 A



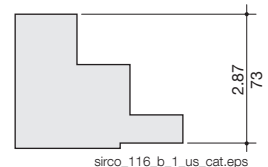
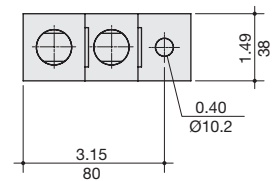
600 kcmil

400 A



2 x 350 kcmil

600 to 800 A



2 x 600 kcmil max